

Product Catalog 2012

Bollards • Cleats • Cleat Seat Bench • Trash Receptacle Bollard



Table of Contents » »

» Mooring Bollards Specifications	Page 3
» Mooring Bollards Drawings	Page 7
» Cleats Specifications	Page 26
» Cleats Drawings	Page 28
» Security Bollards Specifications	Page 38
» Security Bollards Drawings	Page 39
» Ornamental Bollards Specifications	Page 42
» Ornamental Bollards Drawings	Page 44
» Trash Receptacle Bollard Specifications	Page 50
» Trash Receptacle Bollard Drawing	Page 51
» Cleat Seat Bench Specifications	Page 52
» Cleat Seat Bench Drawing	Page 53
» Back Cover Page	Page 54

MOORING BOLLARDS

To Engineers/Architects –

A complete specification section for inclusion into your contract documents can be provided upon request.

PART 2 – PRODUCTS

- 2.1 Mooring bollards to be provided by: J.C. MacElroy Company, Inc.,
Phone: (732) 572-7100, Fax: (732) 572-7112, E-mail: info@macelroy.com,
Website: www.macelroy.com
- 2.2 MATERIALS
- A. Model – CSB-1:
1. Material: Cast Steel, ASTM A27/A27M, Grade 65-35
 2. Provide anchor bolts to ensure proper installation. Anchor bolts shall comply with ASTM A307 and associated plates to comply with ASTM A36/A36M.
- B. Model – CSB-2A:
1. Material: Cast Steel, ASTM A27/A27M, Grade 65-35
 2. Provide anchor bolts to ensure proper installation. Anchor bolts shall comply with ASTM A307 and associated plates to comply with ASTM A36/A36M.
- C. Model – CSB-3J:
1. Material: Cast Steel, ASTM A27/A27M, Grade 65-35
 2. Provide anchor bolts to ensure proper installation. Anchor bolts shall comply with ASTM A307 and associated plates to comply with ASTM A36/A36M.
- D. Model – CSB-4:
1. Material: Cast Steel, ASTM A27/A27M, Grade 65-35
 2. Provide anchor bolts to ensure proper installation. Anchor bolts shall comply with ASTM A307 and associated plates to comply with ASTM A36/A36M.
- E. Model – CSB-4A:
1. Material: Cast Steel, ASTM A27/A27M, Grade 65-35
 2. Provide anchor bolts to ensure proper installation. Anchor bolts shall comply with ASTM A307 and associated plates to comply with ASTM A36/A36M.

- F. Model – CSB-5:
 - 1. Material: Cast Steel, ASTM A27/A27M, Grade 65-35
 - 2. Provide anchor bolts to ensure proper installation. Anchor bolts shall comply with ASTM A307 and associated plates to comply with ASTM A36/A36M.

- G. Model – CSB-6:
 - 1. Material: Cast Steel, ASTM A27/A27M, Grade 65-35
 - 2. Provide anchor bolts to ensure proper installation. Anchor bolts shall comply with ASTM A307 and associated plates to comply with ASTM A36/A36M.

- H. Model – CSB-7:
 - 1. Material: Cast Steel, ASTM A27/A27M, Grade 65-35
 - 2. Provide anchor bolts to ensure proper installation. Anchor bolts shall comply with ASTM A307 and associated plates to comply with ASTM A36/A36M.

- I. Model – CSB-8:
 - 1. Material: Cast Steel, ASTM A27/A27M, Grade 65-35
 - 2. Provide anchor bolts to ensure proper installation. Anchor bolts shall comply with ASTM A307 and associated plates to comply with ASTM A36/A36M.

- J. Model – CSB-9:
 - 1. Material: Cast Steel, ASTM A27/A27M, Grade 65-35
 - 2. Provide anchor bolts to ensure proper installation. Anchor bolts shall comply with ASTM A307 and associated plates to comply with ASTM A36/A36M.

- K. Model – CSB-10A:
 - 1. Material: Cast Steel, ASTM A27/A27M, Grade 65-35
 - 2. Provide anchor bolts to ensure proper installation. Anchor bolts shall comply with ASTM A307 and associated plates to comply with ASTM A36/A36M.

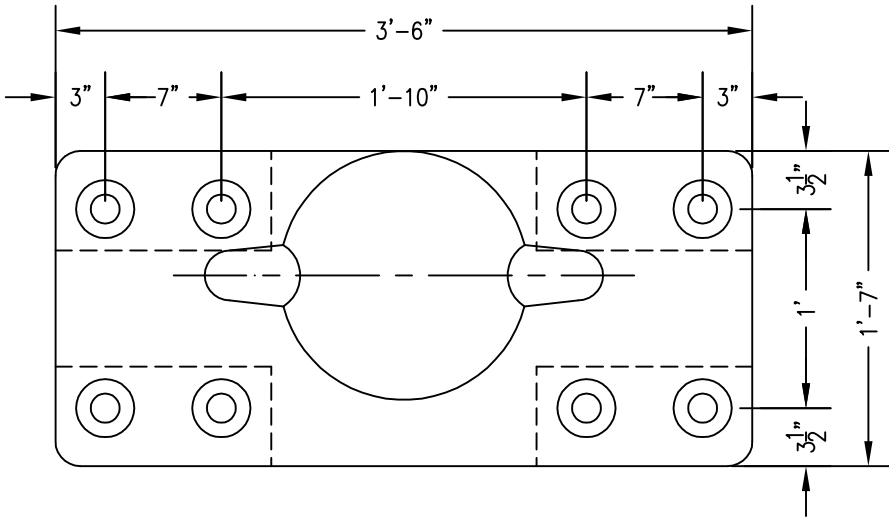
- L. Model – CSB-12:
 - 1. Material: Cast Steel, ASTM A27/A27M, Grade 65-35
 - 2. Provide anchor bolts to ensure proper installation. Anchor bolts shall comply with ASTM A307 and associated plates to comply with ASTM A36/A36M.

- M. Model – CSB-14:
1. Material: Cast Steel, ASTM A27/A27M, Grade 65-35
 2. Provide anchor bolts to ensure proper installation. Anchor bolts shall comply with ASTM A307 and associated plates to comply with ASTM A36/A36M.
- N. Model – CSB-18:
1. Material: Cast Steel, ASTM A27/A27M, Grade 65-35
 2. Provide anchor bolts to ensure proper installation. Anchor bolts shall comply with ASTM A307 and associated plates to comply with ASTM A36/A36M.
- O. Model – CSB-39:
1. Material: Cast Steel, ASTM A27/A27M, Grade 65-35
 2. Provide anchor bolts to ensure proper installation. Anchor bolts shall comply with ASTM A307 and associated plates to comply with ASTM A36/A36M.
- P. Model – CSB-68:
1. Material: Cast Steel, ASTM A27/A27M, Grade 65-35
 2. Provide anchor bolts to ensure proper installation. Anchor bolts shall comply with ASTM A307 and associated plates to comply with ASTM A36/A36M.
- Q. Model – CSB-69:
1. Material: Cast Steel, ASTM A27/A27M, Grade 65-35
 2. Provide anchor bolts to ensure proper installation. Anchor bolts shall comply with ASTM A307 and associated plates to comply with ASTM A36/A36M.
- R. Model – CSB-70:
1. Material: Cast Steel, ASTM A27/A27M, Grade 65-35
 2. Provide anchor bolts to ensure proper installation. Anchor bolts shall comply with ASTM A307 and associated plates to comply with ASTM A36/A36M.
- S. Model – CSB-101:
1. Material: Cast Steel, ASTM A27/A27M, Grade 65-35
 2. Provide anchor bolts to ensure proper installation. Anchor bolts shall comply with ASTM A307 and associated plates to comply with ASTM A36/A36M.

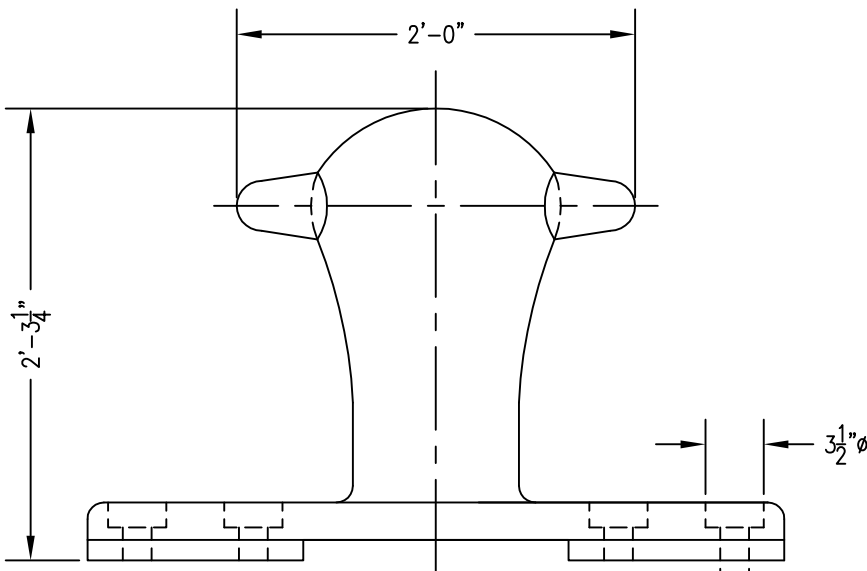
2.3 FINISH

- A. Standard finish is one coat of metal primer unless specified otherwise.
- B. Where mooring bollard is required by Engineer to be painted, painting of bollard shall be performed in conformity with the specification.

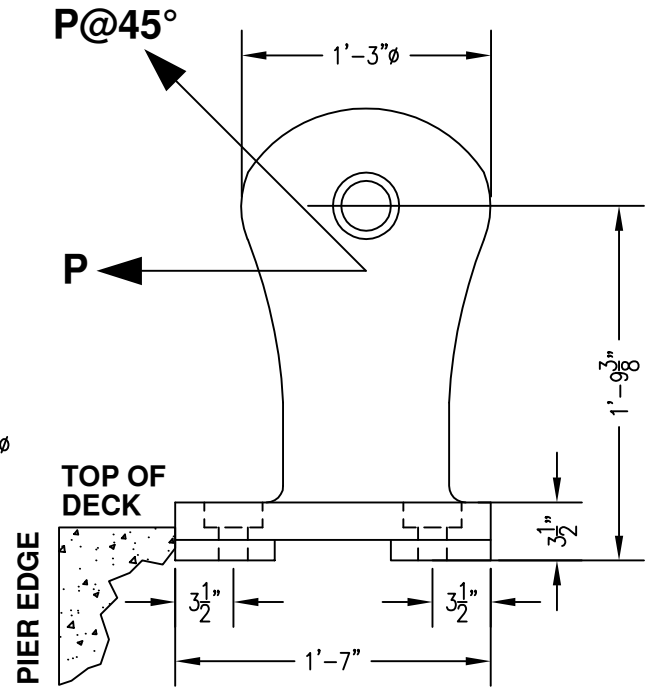
DESIGN CRITERIA									
BOLLARD TYPE	CASTING GRADE	COMPRESSIVE STRENGTH OF CONCRETE	BOLT GRADE	BOLT DIA.	CORE DIA.	MAX. CASTING LOADING @45°	MAX. BOLT LOADING @45°	MAX. ALLOWABLE LOADING @45°	CRITICAL DESIGN ELEMENT
CSB-1	65/35	f'c =4 ksi	A307	1.50"	1.75"	68.0 TONS	43.7 TONS	43.7 TONS	BOLTS



TOP VIEW



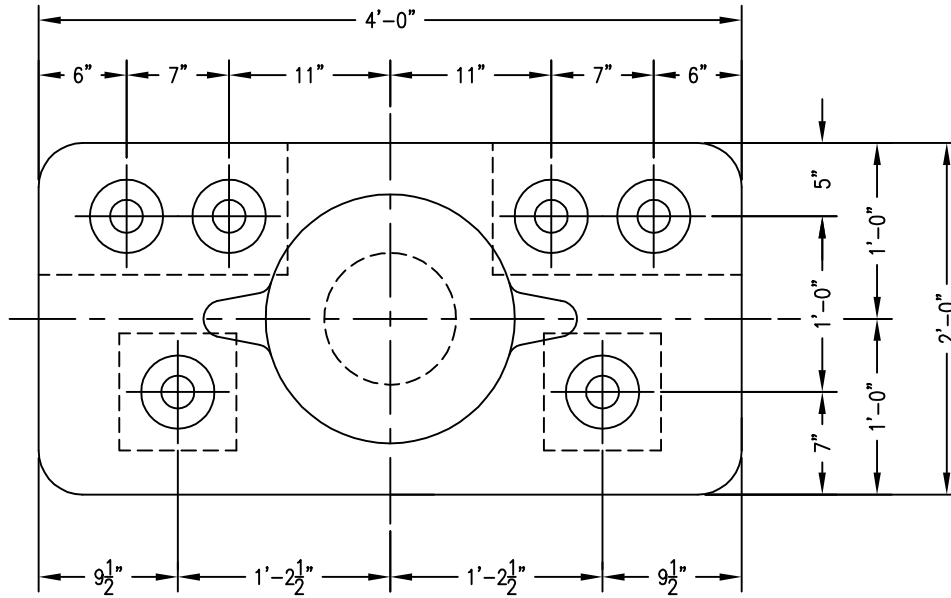
FRONT VIEW



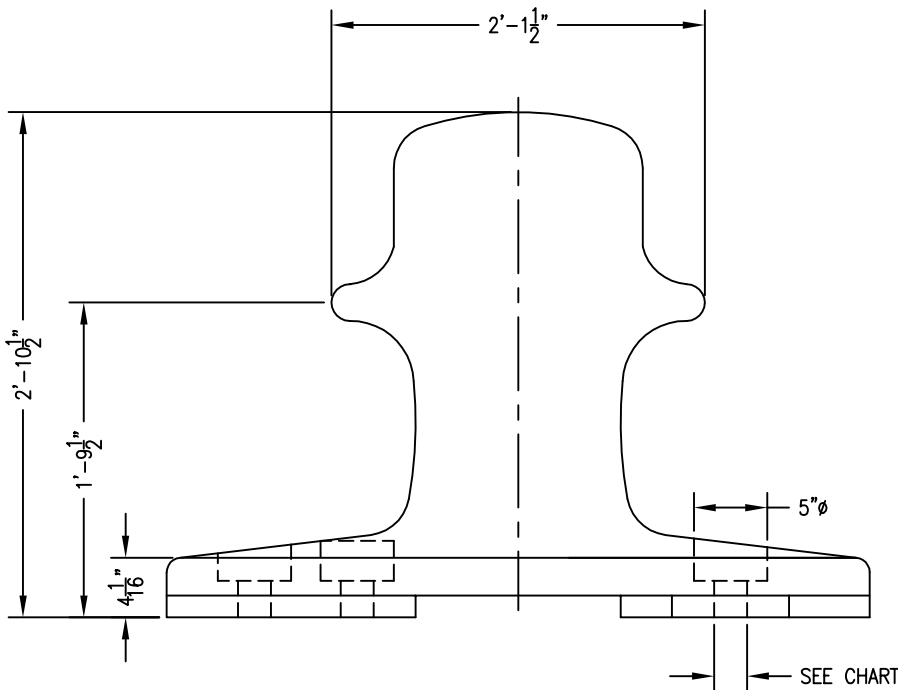
SIDE VIEW

MacElroy		
J. C. MacElroy Co. Inc. 91 ETHEL ROAD WEST, PISCATAWAY, N.J. 08855		
Website: WWW.Macelroy.com - E-mail: info@Macelroy.com Phone: (800) 622-3576		
TITLE CAST STEEL BOLLARD CSB-1		
DRAWN BY EK	CHK'ED BY MJM	ENGINEER BS
CONTR.		SHEET 1 OF
DATE 1/8/04	SCALE N.T.S.	DWG. NO. A-00-1459

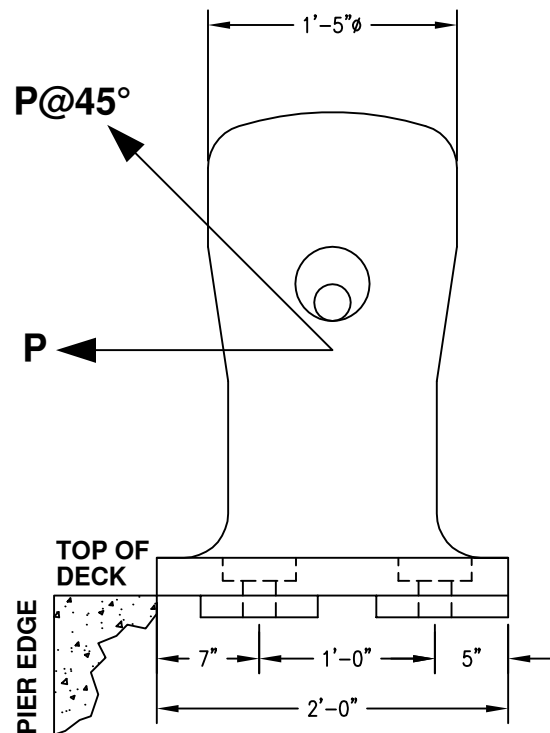
DESIGN CRITERIA									
BOLLARD TYPE	CASTING GRADE	COMPRESSIVE STRENGTH OF CONCRETE	BOLT GRADE	BOLT DIA.	CORE DIA.	MAX. CASTING LOADING @45°	MAX. BOLT LOADING @45°	MAX. ALLOWABLE LOADING @45°	CRITICAL DESIGN ELEMENT
CSB-2A	65/35	f'c =4 ksi	A307	2.25"	2.50"	240.0 TONS	111.5 TONS	111.5 TONS	BOLTS



TOP VIEW



FRONT VIEW

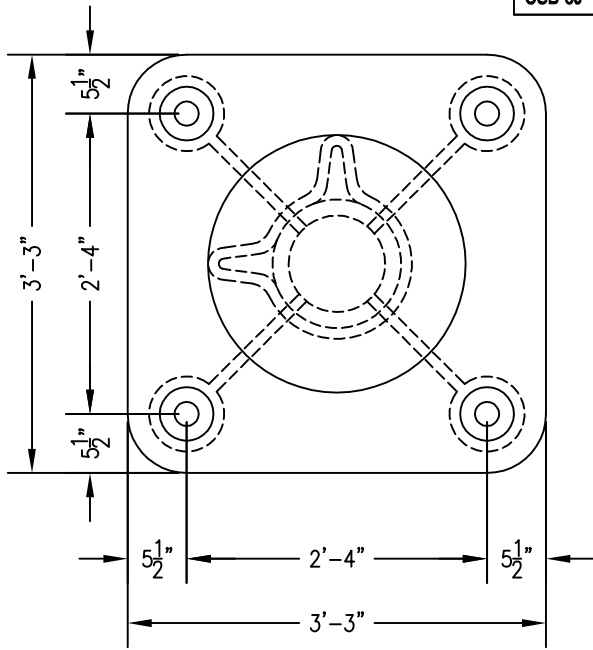


SIDE VIEW

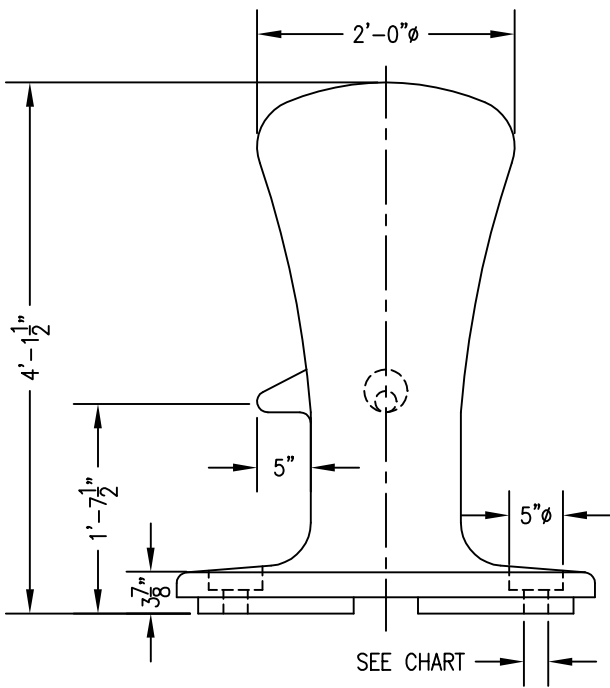
MacElroy		
J. C. MacElroy Co. Inc. 91 ETHEL ROAD WEST, PISCATAWAY, N.J. 08855		
Website: WWW.Macelroy.com - E-mail: info@Macelroy.com Phone: (800) 622-3576		
TITLE CAST STEEL BOLLARD CSB-2A		
DRAWN BY EK	CHK'ED BY MJM	ENGINEER BS
CONTR.		SHEET 2A OF
DATE 1/8/04	SCALE N.T.S.	DWG. NO. A-00-1459

DESIGN CRITERIA

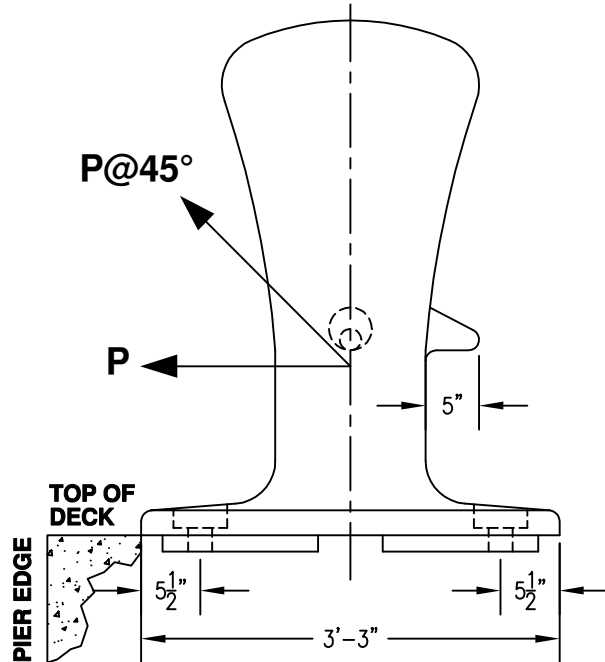
BOLLARD TYPE	CASTING GRADE	COMPRESSIVE STRENGTH OF CONCRETE	BOLT GRADE	BOLT DIA.	CORE DIA.	MAX. CASTING LOADING @45°	MAX. BOLT LOADING @45°	MAX. ALLOWABLE LOADING @45°	CRITICAL DESIGN ELEMENT
CSB-3J	65/35	f'c =4 ksi	A307	2.00"	2.25"	129.5 TONS	48.0 TONS	48.0 TONS	BOLTS



TOP VIEW



FRONT VIEW



SIDE VIEW

MacElroy

J. C. MacElroy Co. Inc.
91 ETHEL ROAD WEST, PISCATAWAY, N.J. 08855

Website: WWW.Macelroy.com - E-mail: info@Macelroy.com
Phone: (800) 622-3576

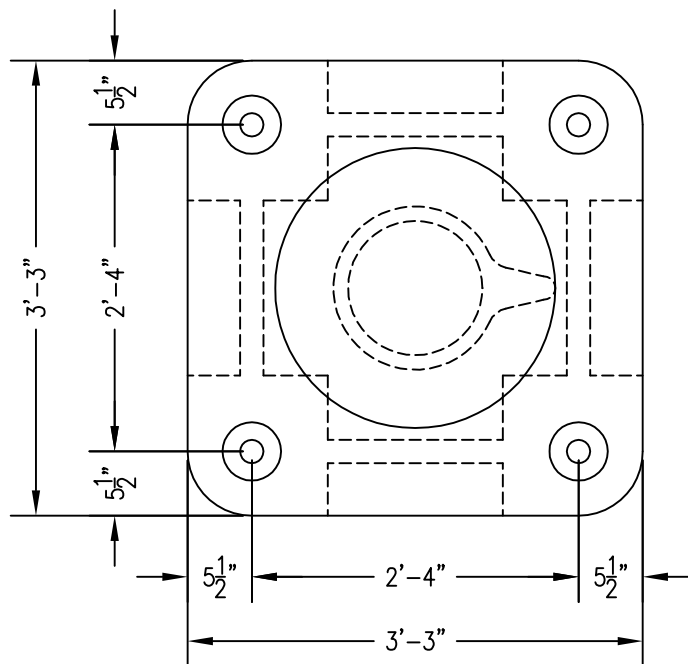
TITLE
CAST STEEL BOLLARD
CSB-3J

DRAWN BY EK CHK'ED BY MJM ENGINEER BS

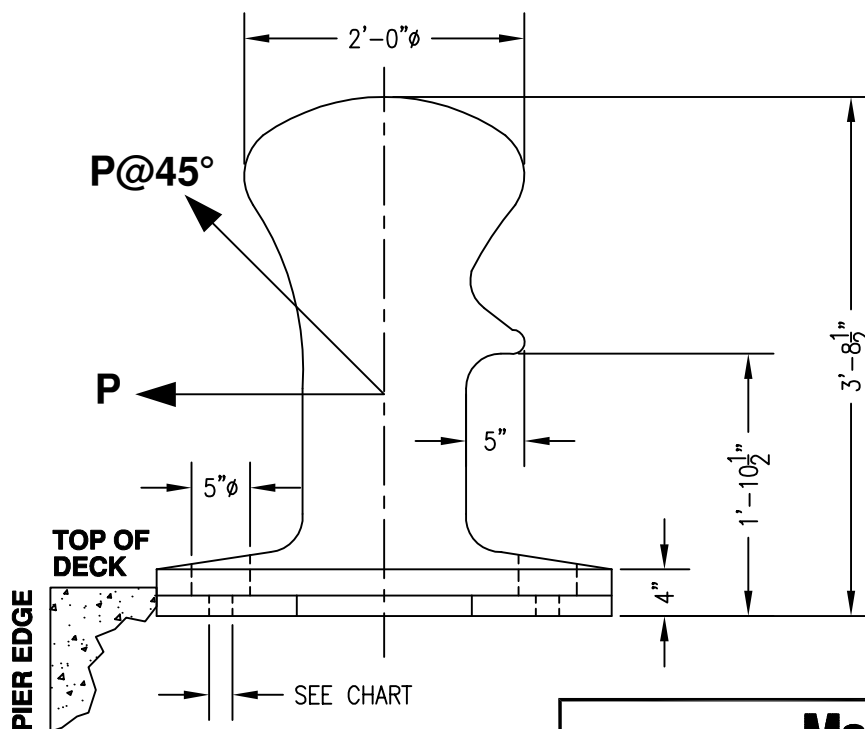
CONTR. SHEET 2 OF

DATE 1/8/04 SCALE N.T.S. DWG. NO. A-00-1459

DESIGN CRITERIA									
BOLLARD TYPE	CASTING GRADE	COMPRESSIVE STRENGTH OF CONCRETE	BOLT GRADE	BOLT DIA.	CORE DIA.	MAX. CASTING LOADING @45°	MAX. BOLT LOADING @45°	MAX. ALLOWABLE LOADING @45°	CRITICAL DESIGN ELEMENT
CSB-4	65/35	f'c =4 ksi	A307	1.75"	2.00"	98.0 TONS	33.2 TONS	33.2 TONS	BOLTS



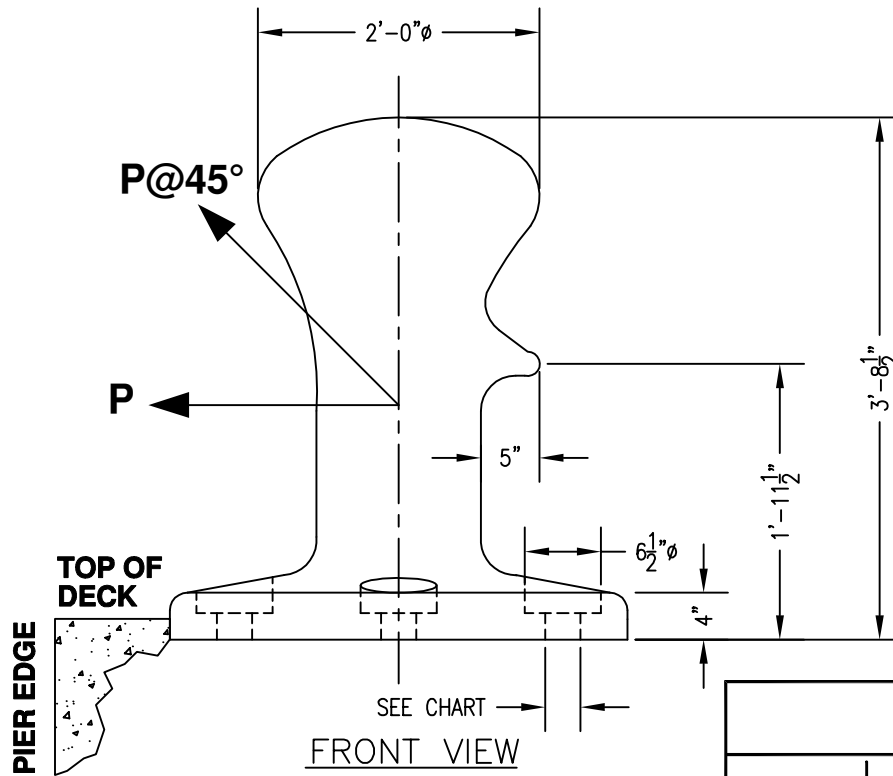
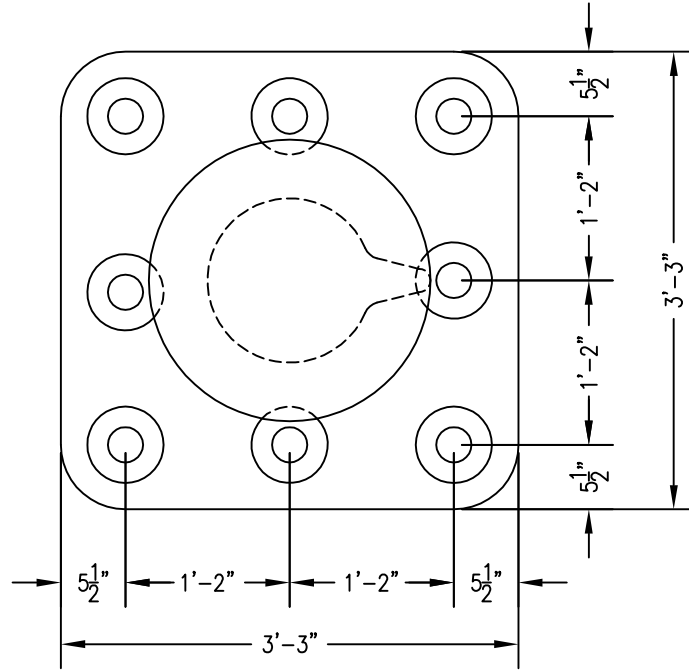
TOP VIEW



FRONT VIEW

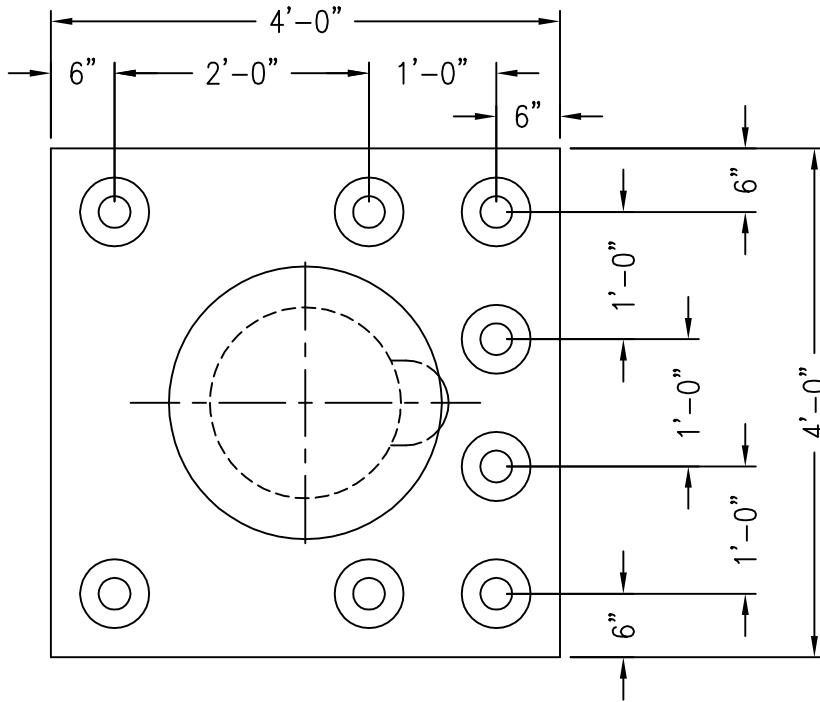
MacElroy		
J. C. MacElroy Co. Inc. 91 ETHEL ROAD WEST, PISCATAWAY, N.J. 08855		
Website: WWW.Macelroy.com - E-mail: info@Macelroy.com Phone: (800) 622-3576		
TITLE CAST STEEL BOLLARD CSB-4		
DRAWN BY EK	CHK'ED BY MJM	ENGINEER BS
CONTR.	SHEET 3 OF	
DATE 1/8/04	SCALE N.T.S.	DWG. NO. A-00-1459

DESIGN CRITERIA									
BOLLARD TYPE	CASTING GRADE	COMPRESSIVE STRENGTH OF CONCRETE	BOLT GRADE	BOLT DIA.	CORE DIA.	MAX. CASTING LOADING @45°	MAX. BOLT LOADING @45°	MAX. ALLOWABLE LOADING @45°	CRITICAL DESIGN ELEMENT
CSB-4A	65/35	f'c =4 ksi	A307	2.75"	3.00"	130.0 TONS	150.5 TONS	130.0 TONS	CASTING

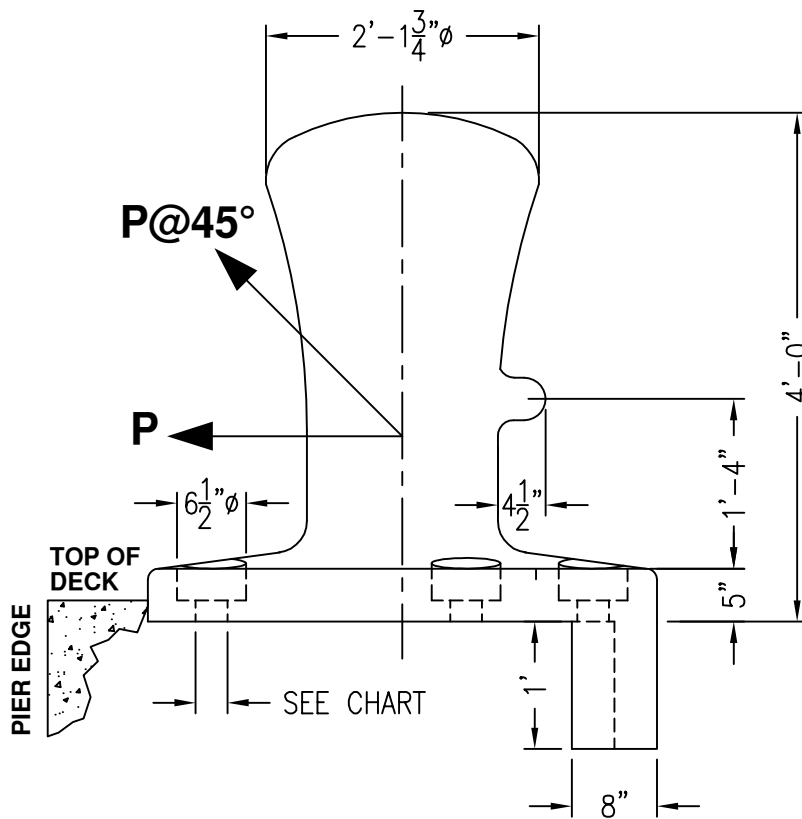


MacElroy		
J. C. MacElroy Co. Inc. 91 ETHEL ROAD WEST, PISCATAWAY, N.J. 08855		
Website: WWW.Macelroy.com - E-mail: info@Macelroy.com Phone: (800) 622-3576		
TITLE CAST STEEL BOLLARD CSB-4A		
DRAWN BY EK	CHK'ED BY MJM	ENGINEER BS
CONTR.		SHEET 4 OF
DATE 1/8/04	SCALE N.T.S.	DWG. NO. A-00-1459

DESIGN CRITERIA									
BOLLARD TYPE	CASTING GRADE	COMPRESSIVE STRENGTH OF CONCRETE	BOLT GRADE	BOLT DIA.	CORE DIA.	MAX. CASTING LOADING @45°	MAX. BOLT LOADING @45°	MAX. ALLOWABLE LOADING @45°	CRITICAL DESIGN ELEMENT
CSB-5	65/35	f'c = 4 ksi	A307	2.75"	3.00"	285.7 TONS	218.5 TONS	218.5 TONS	BOLTS



TOP VIEW



FRONT VIEW

MacElroy

J. C. MacElroy Co. Inc.

91 ETHEL ROAD WEST, PISCATAWAY, N.J. 08855

Website: WWW.Macelroy.com - E-mail: info@Macelroy.com
Phone: (800) 622-3576

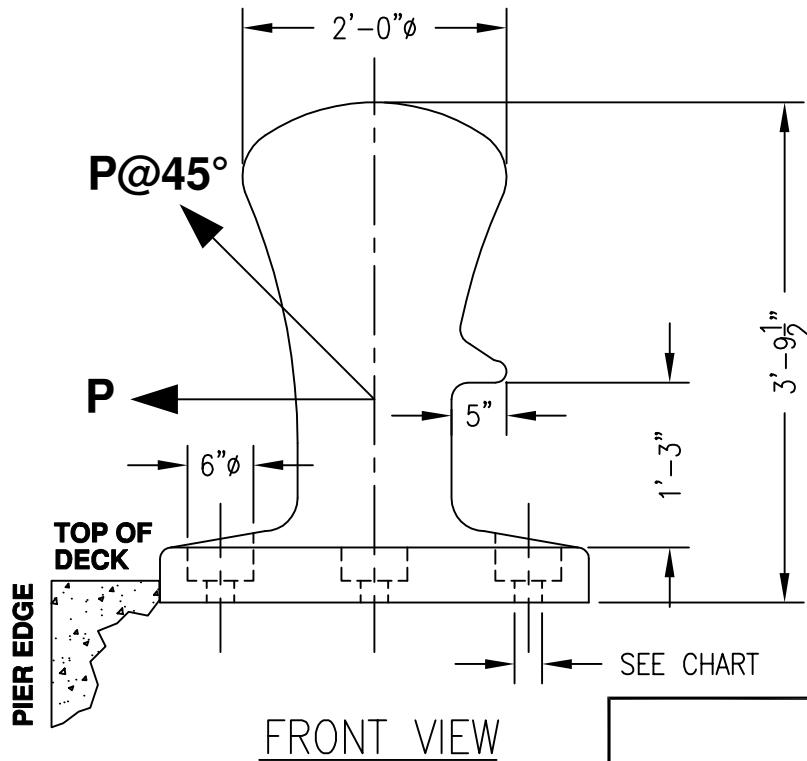
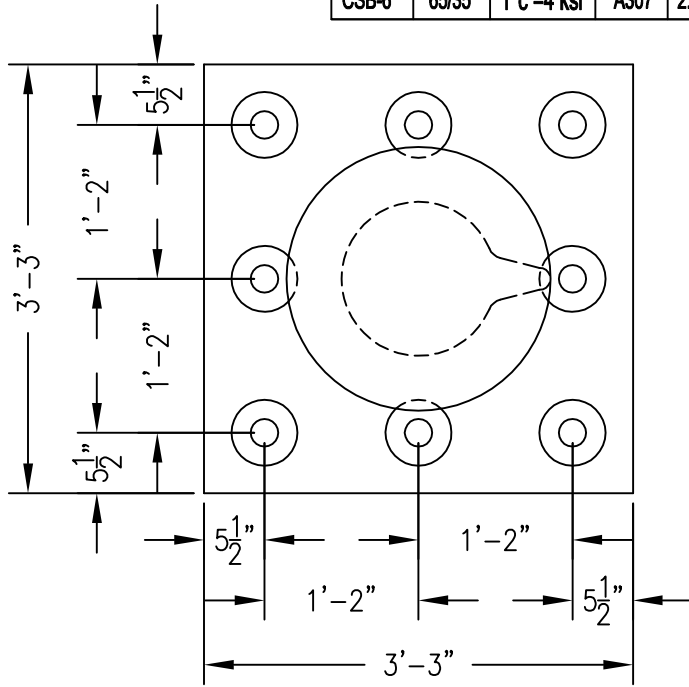
TITLE
CAST STEEL BOLLARD
CSB-5

DRAWN BY EK CHK'ED BY MJM ENGINEER BS

CONTR. SHEET 5 OF

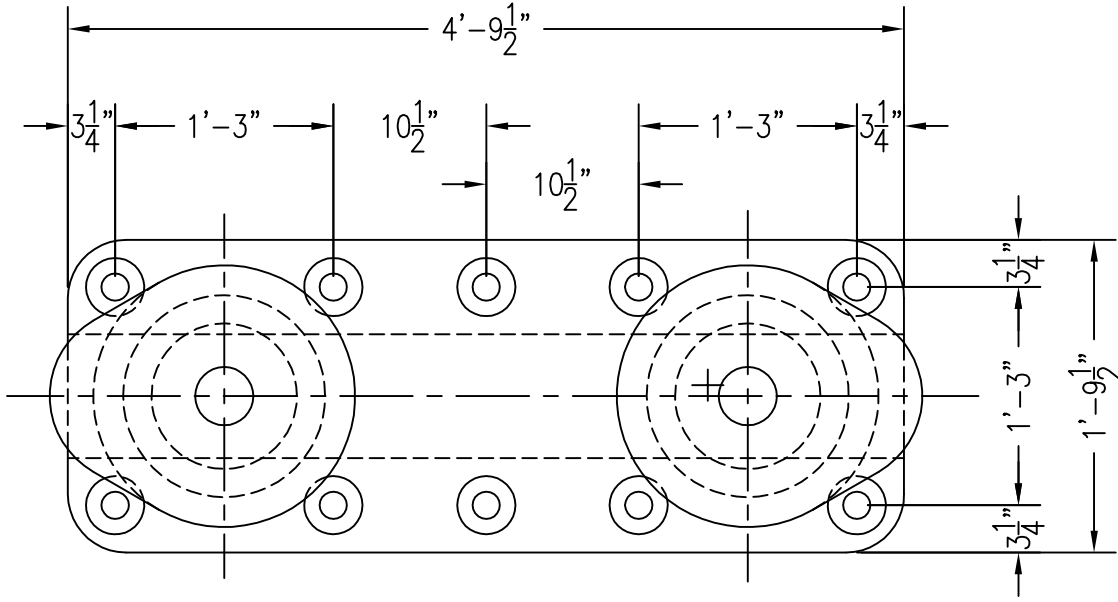
DATE 1/8/04 SCALE N.T.S. DWG. NO. A-00-1459

DESIGN CRITERIA									
BOLLARD TYPE	CASTING GRADE	COMPRESSIVE STRENGTH OF CONCRETE	BOLT GRADE	BOLT DIA.	CORE DIA.	MAX. CASTING LOADING @45°	MAX. BOLT LOADING @45°	MAX. ALLOWABLE LOADING @45°	CRITICAL DESIGN ELEMENT
CSB-6	65/35	f'c = 4 ksi	A307	2.25"	2.50"	182.9 TONS	110.7 TONS	110.7 TONS	BOLTS

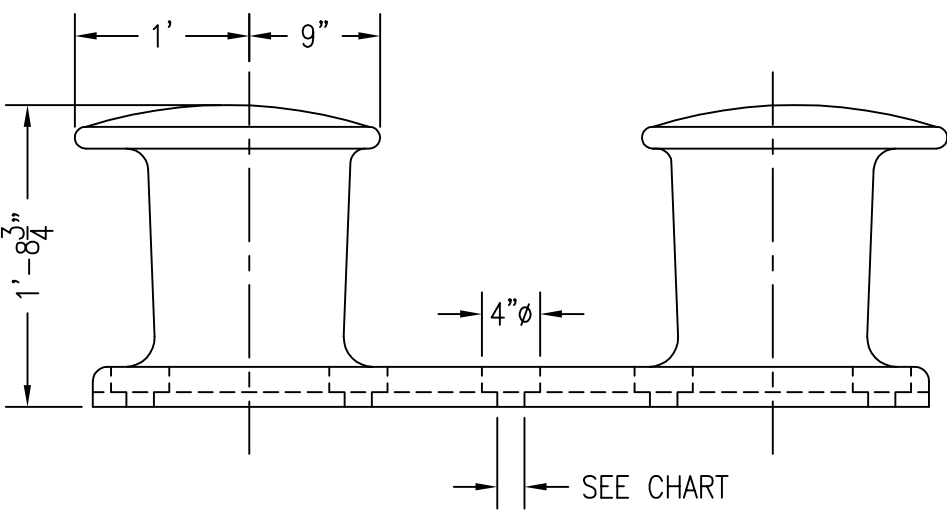


MacElroy		
J. C. MacElroy Co. Inc. 91 ETHEL ROAD WEST, PISCATAWAY, N.J. 08855		
Website: WWW.Macelroy.com - E-mail: info@Macelroy.com Phone: (800) 622-3576		
TITLE CAST STEEL BOLLARD CSB-6		
DRAWN BY EK	CHK'ED BY MJM	ENGINEER BS
CONTR.		SHEET 6 OF
DATE 1/8/04	SCALE N.T.S.	DWG. NO. A-00-1459

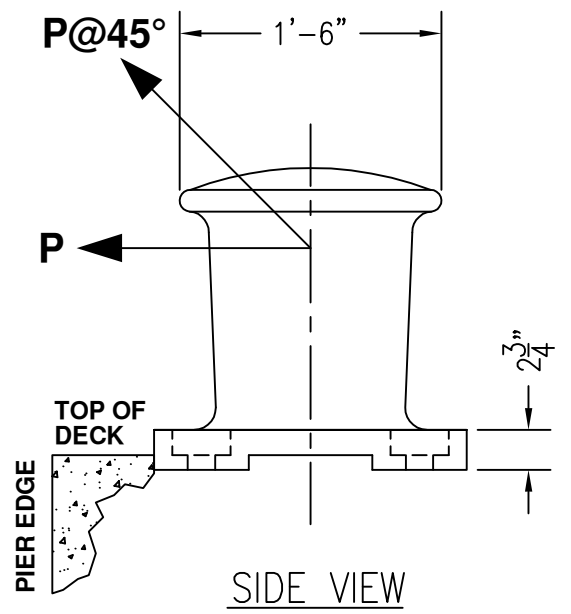
DESIGN CRITERIA									
BOLLARD TYPE	CASTING GRADE	COMPRESSIVE STRENGTH OF CONCRETE	BOLT GRADE	BOLT DIA.	CORE DIA.	MAX. CASTING LOADING @45°	MAX. BOLT LOADING @45°	MAX. ALLOWABLE LOADING @45°	CRITICAL DESIGN ELEMENT
CSB-7	65/35	f'c = 4 ksi	A307	1.625"	1.875"	67.4 TONS	26.8 TONS	26.8 TONS	BOLTS



TOP VIEW



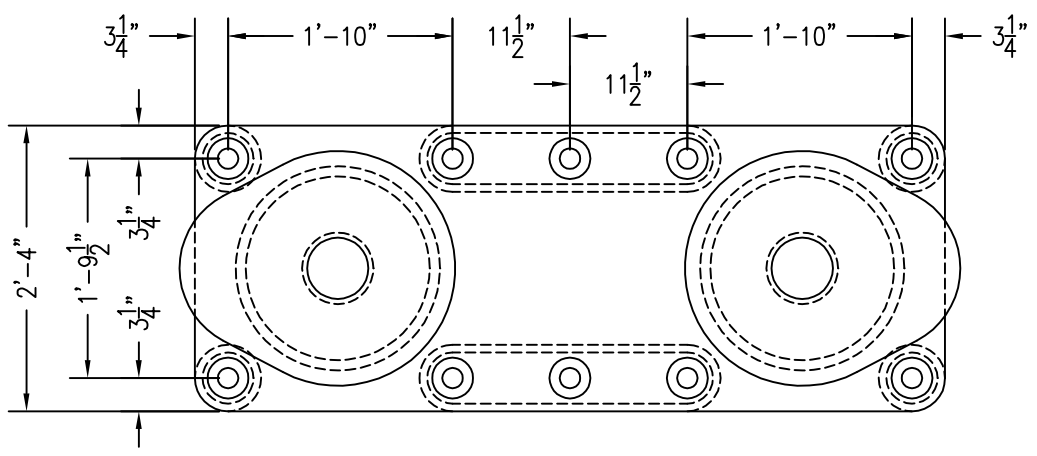
FRONT VIEW



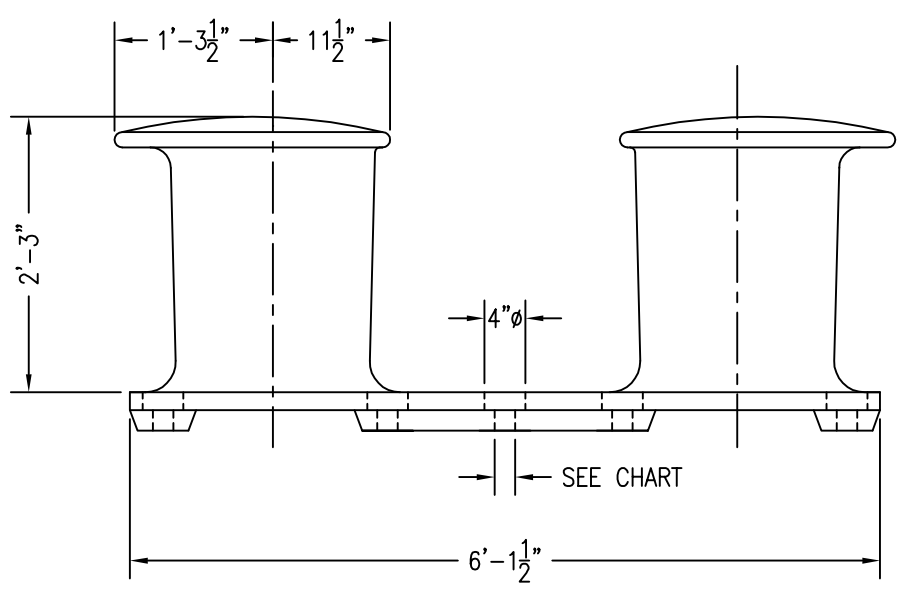
SIDE VIEW

MacElroy		
J. C. MacElroy Co. Inc. 91 ETHEL ROAD WEST, PISCATAWAY, N.J. 08855		
Website: WWW.Macelroy.com - E-mail: info@Macelroy.com Phone: (800) 622-3576		
TITLE CAST STEEL BOLLARD CSB-7		
DRAWN BY EK	CHK'ED BY MJM	ENGINEER BS
CONTR.		SHEET 7 OF
DATE 1/8/04	SCALE N.T.S.	DWG. NO. A-00-1459

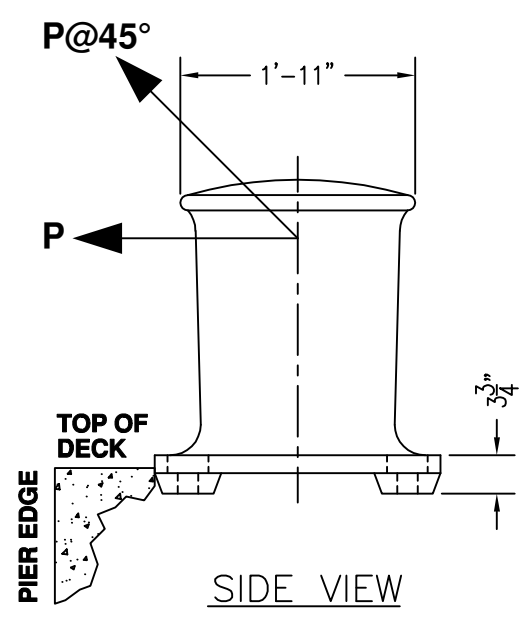
DESIGN CRITERIA									
BOLLARD TYPE	CASTING GRADE	COMPRESSIVE STRENGTH OF CONCRETE	BOLT GRADE	BOLT DIA.	CORE DIA.	MAX. CASTING LOADING @45°	MAX. BOLT LOADING @45°	MAX. ALLOWABLE LOADING @45°	CRITICAL DESIGN ELEMENT
CSB-8	65/35	f'c =4 ksi	A307	1.75"	2.00"	121.2 TONS	30.0 TONS	30.0 TONS	BOLTS



TOP VIEW



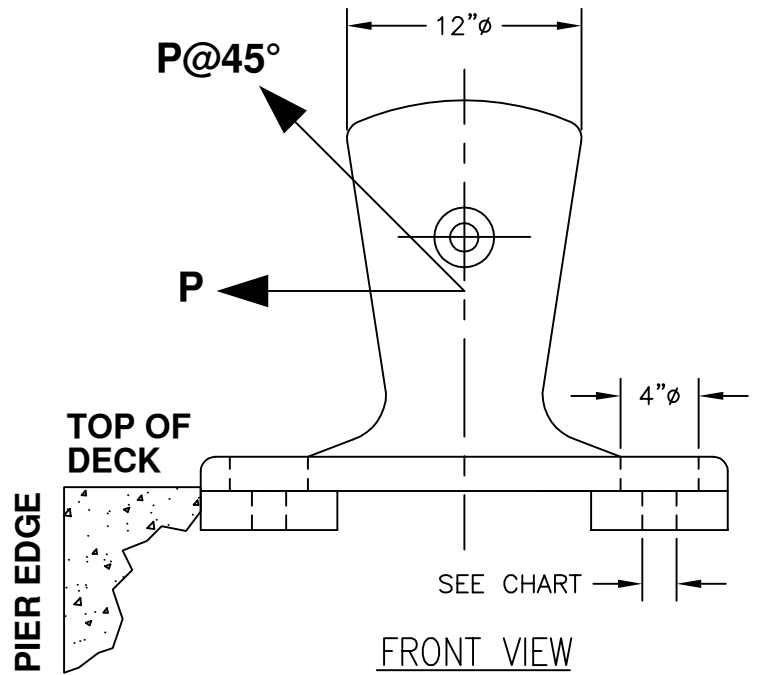
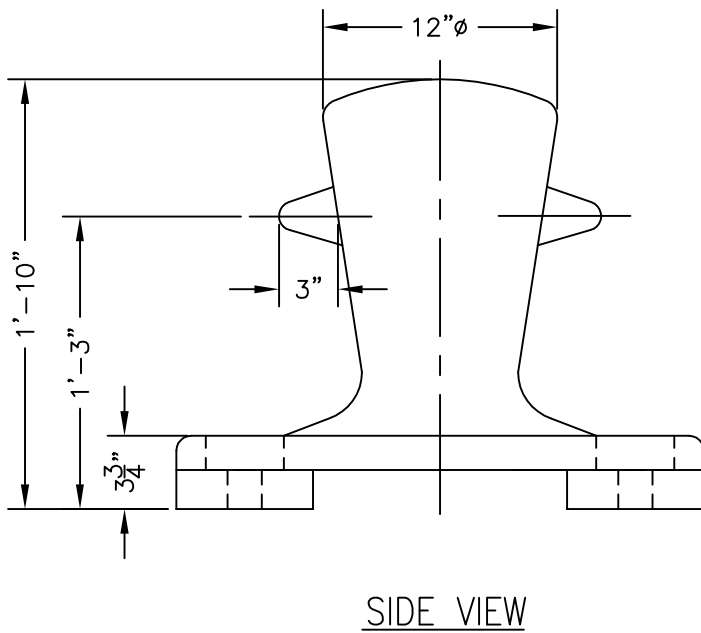
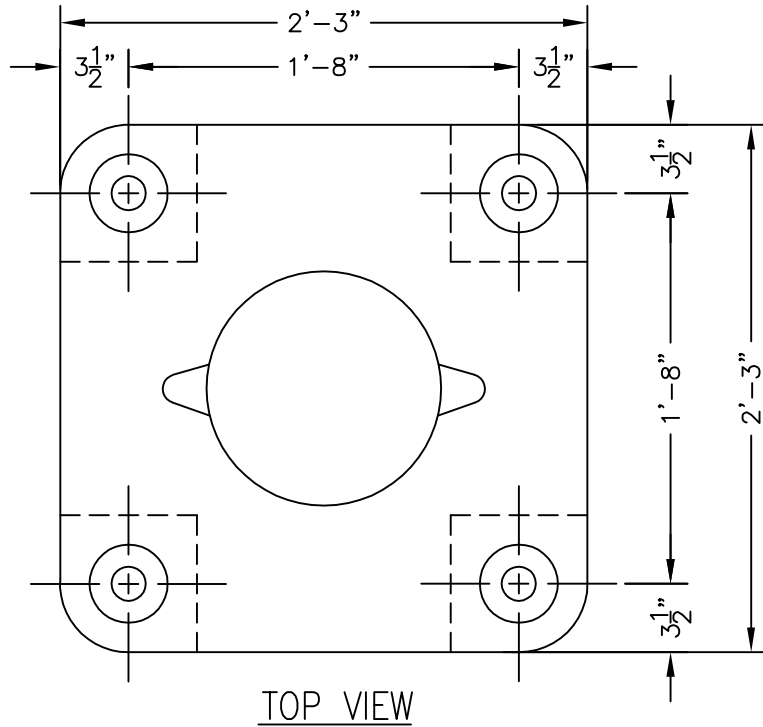
FRONT VIEW



SIDE VIEW

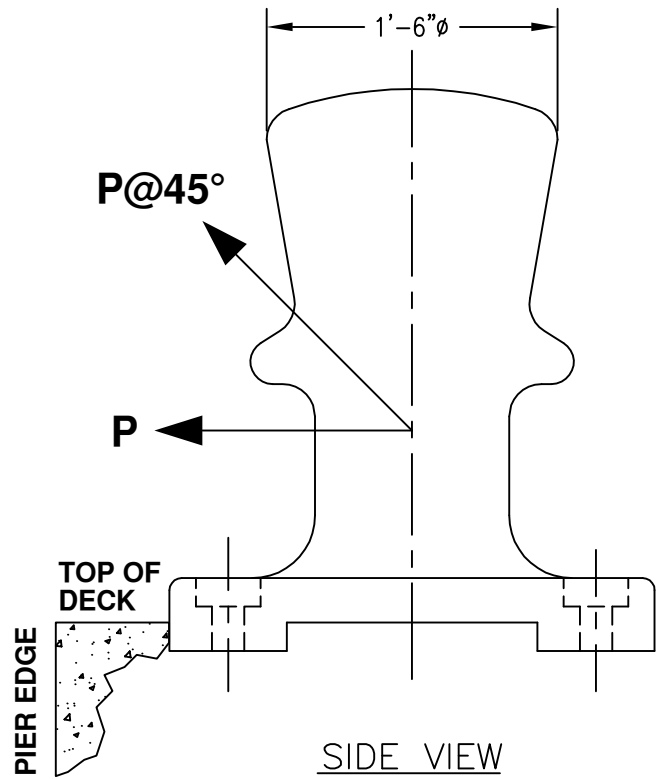
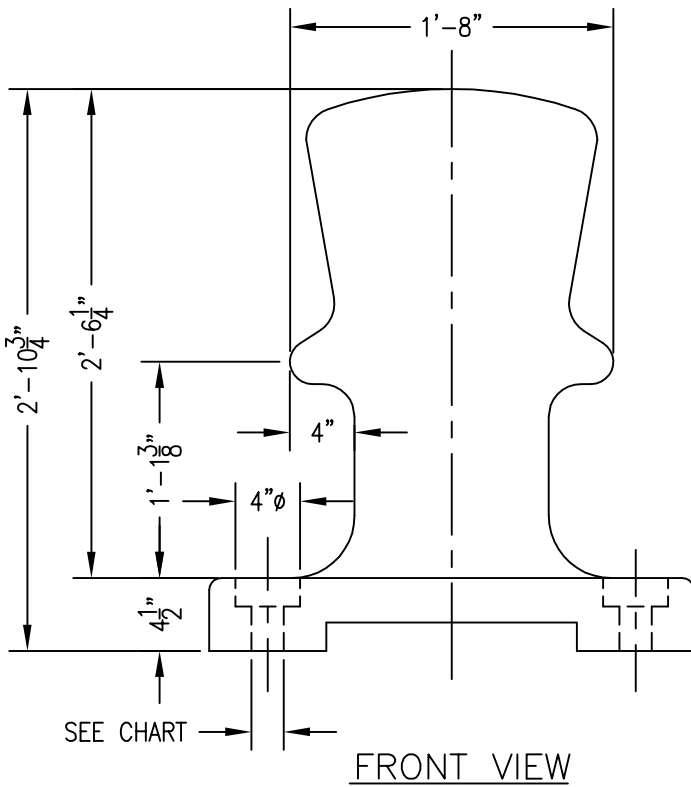
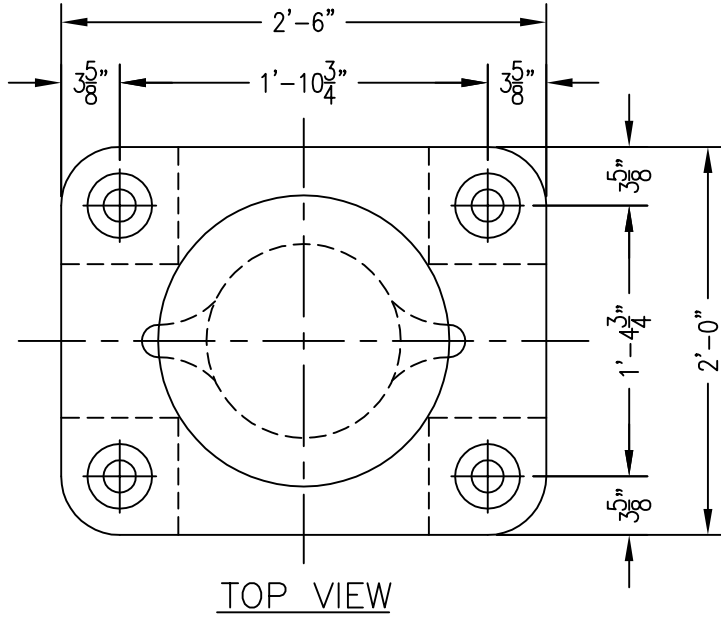
MacElroy		
J. C. MacElroy Co. Inc. 91 ETHEL ROAD WEST, PISCATAWAY, N.J. 08855		
Website: WWW.Macelroy.com - E-mail: info@Macelroy.com Phone: (800) 622-3576		
TITLE CAST STEEL BOLLARD CSB-8		
DRAWN BY EK	CHK'ED BY MJM	ENGINEER BS
CONTR.		SHEET 8 OF
DATE 1/8/04	SCALE N.T.S.	DWG. NO. A-00-1459

DESIGN CRITERIA									
BOLLARD TYPE	CASTING GRADE	COMPRESSIVE STRENGTH OF CONCRETE	BOLT GRADE	BOLT DIA.	CORE DIA.	MAX. CASTING LOADING @45°	MAX. BOLT LOADING @45°	MAX. ALLOWABLE LOADING @45°	CRITICAL DESIGN ELEMENT
CSB-9	65/35	f'c = 4 ksi	A307	1.50"	1.75"	56.9 TONS	33.5 TONS	33.5 TONS	BOLTS



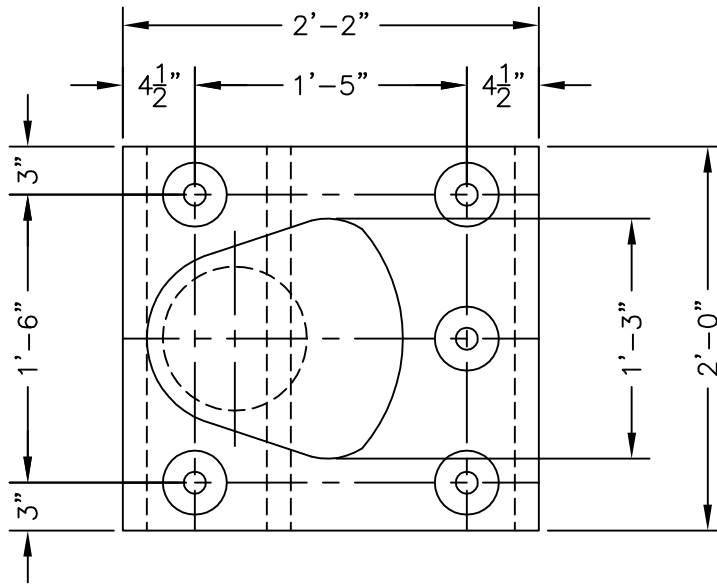
MacElroy		
J. C. MacElroy Co. Inc. 91 ETHEL ROAD WEST, PISCATAWAY, N.J. 08855		
Website: WWW.Macelroy.com - E-mail: info@Macelroy.com Phone: (800) 622-3576		
TITLE CAST STEEL BOLLARD CSB-9		
DRAWN BY EK	CHK'ED BY MJM	ENGINEER BS
CONTR.		SHEET 9 OF
DATE 1/8/04	SCALE N.T.S.	DWG. NO. A-00-1459

DESIGN CRITERIA									
BOLLARD TYPE	CASTING GRADE	COMPRESSIVE STRENGTH OF CONCRETE	BOLT GRADE	BOLT DIA.	CORE DIA.	MAX. CASTING LOADING @45°	MAX. BOLT LOADING @45°	MAX. ALLOWABLE LOADING @45°	CRITICAL DESIGN ELEMENT
CSB-10A	65/35	f'c = 4 ksi	A307	1.75"	2.00"	174.3 TONS	39.5 TONS	39.5 TONS	BOLTS

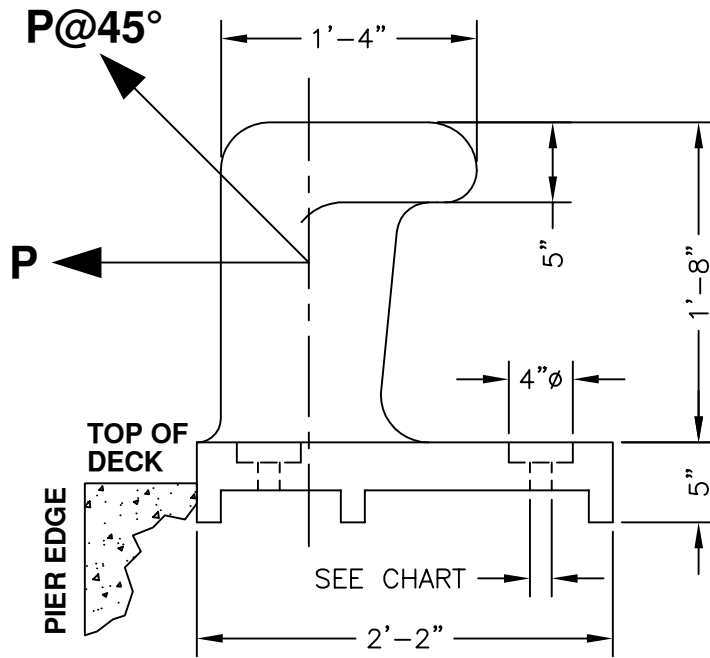


MacElroy		
J. C. MacElroy Co. Inc. 91 ETHEL ROAD WEST, PISCATAWAY, N.J. 08855		
Website: WWW.Macelroy.com - E-mail: info@Macelroy.com Phone: (800) 622-3576		
TITLE CAST STEEL BOLLARD CSB-10A		
DRAWN BY EK	CHK'ED BY MJM	ENGINEER BS
CONTR.		SHEET 10 OF
DATE 1/8/04	SCALE N.T.S.	DWG. NO. A-00-1459

DESIGN CRITERIA									
BOLLARD TYPE	CASTING GRADE	COMPRESSIVE STRENGTH OF CONCRETE	BOLT GRADE	BOLT DIA.	CORE DIA.	MAX. CASTING LOADING @45°	MAX. BOLT LOADING @45°	MAX. ALLOWABLE LOADING @45°	CRITICAL DESIGN ELEMENT
CSB-12	65/35	f'c = 4 ksi	A307	1.25"	1.50"	93.8 TONS	33.9 TONS	33.9 TONS	BOLTS



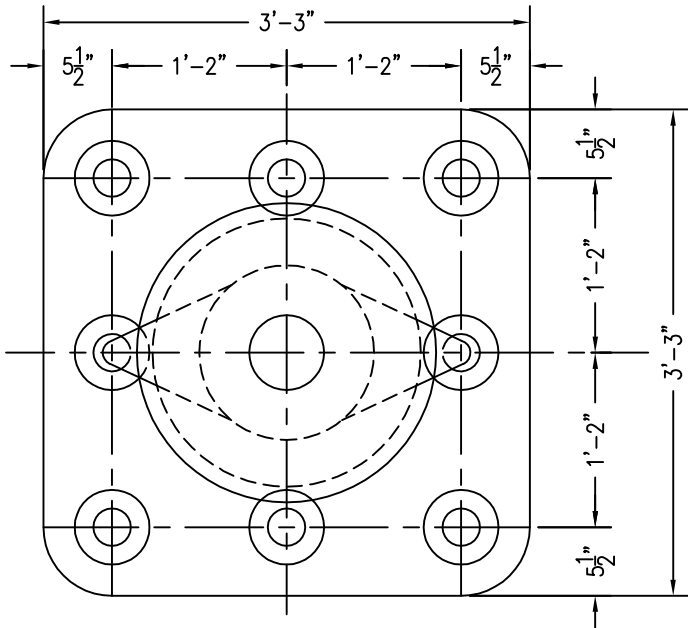
TOP VIEW



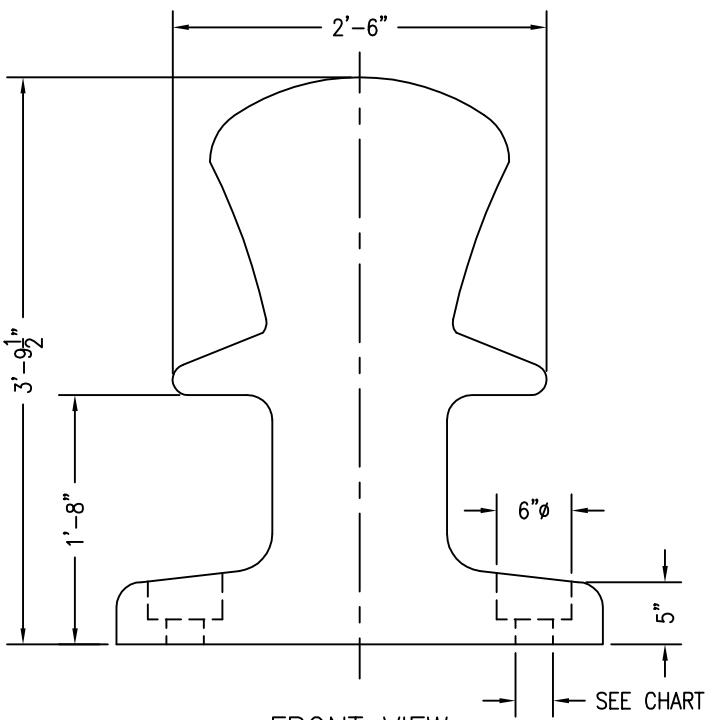
FRONT VIEW

MacElroy		
J. C. MacElroy Co. Inc. 91 ETHEL ROAD WEST, PISCATAWAY, N.J. 08855		
Website: WWW.Macelroy.com - E-mail: info@Macelroy.com Phone: (800) 622-3576		
TITLE CAST STEEL BOLLARD CSB-12		
DRAWN BY EK	CHK'ED BY MJM	ENGINEER BS
CONTR.	SHEET 11 OF	
DATE 1/8/04	SCALE N.T.S.	DWG. NO. A-00-1459

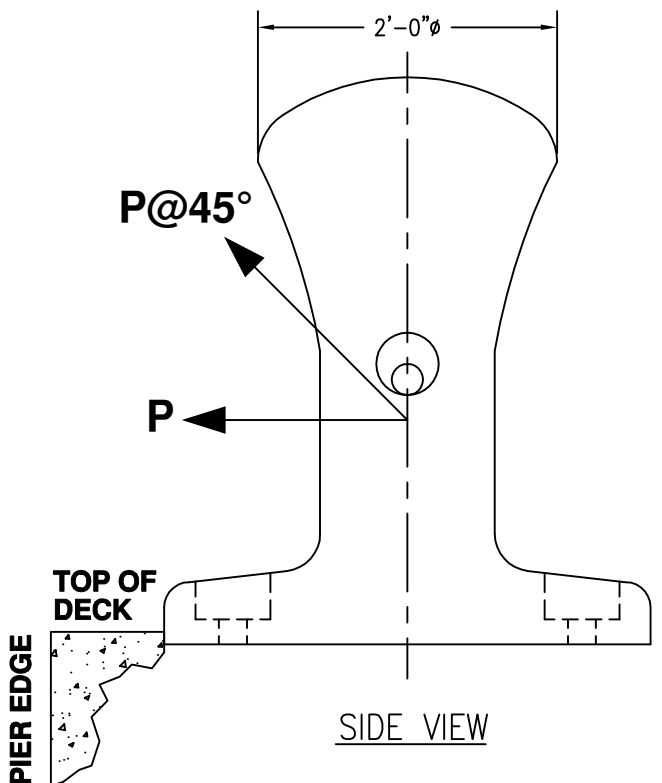
DESIGN CRITERIA									
BOLLARD TYPE	CASTING GRADE	COMPRESSIVE STRENGTH OF CONCRETE	BOLT GRADE	BOLT DIA.	CORE DIA.	MAX. CASTING LOADING @45°	MAX. BOLT LOADING @45°	MAX. ALLOWABLE LOADING @45°	CRITICAL DESIGN ELEMENT
CSB-14	65/35	f'c = 4 ksi	A307	2.25"	2.50"	266.3 TONS	130.1 TONS	130.1 TONS	BOLTS



TOP VIEW



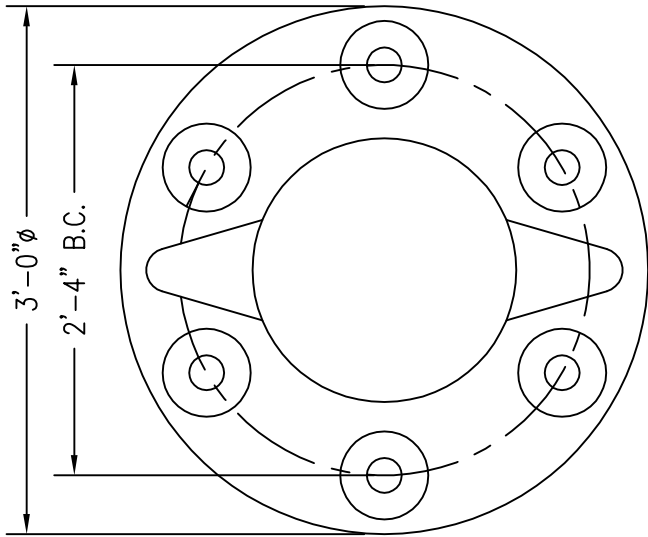
FRONT VIEW



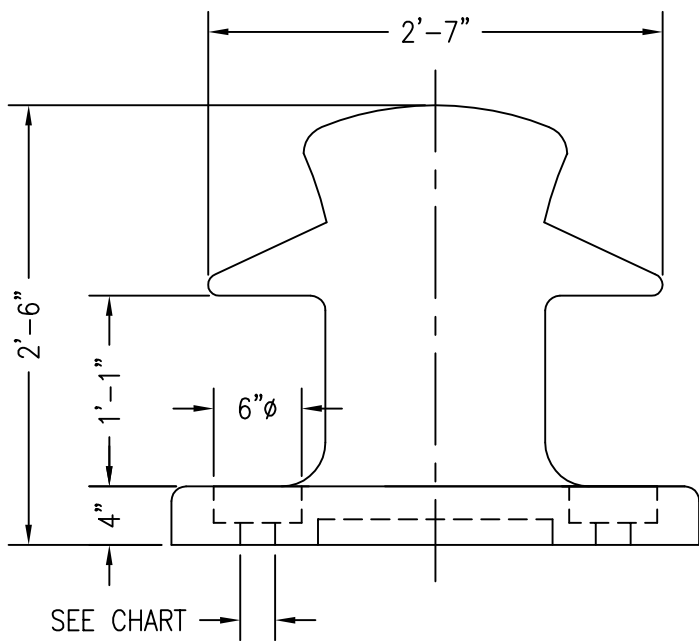
SIDE VIEW

MacElroy		
J. C. MacElroy Co. Inc. 91 ETHEL ROAD WEST, PISCATAWAY, N.J. 08855		
Website: WWW.Macelroy.com - E-mail: info@Macelroy.com Phone: (800) 622-3576		
TITLE CAST STEEL BOLLARD CSB-14		
DRAWN BY EK	CHK'ED BY MJM	ENGINEER BS
CONTR.		SHEET 17 OF
DATE 1/8/04	SCALE N.T.S.	DWG. NO. A-00-1459

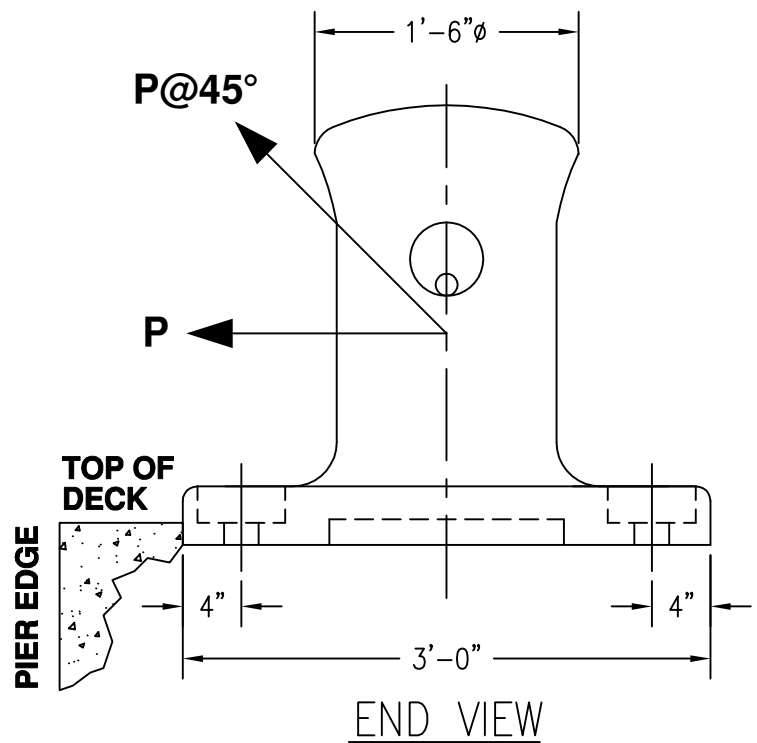
DESIGN CRITERIA									
BOLLARD TYPE	CASTING GRADE	COMPRESSIVE STRENGTH OF CONCRETE	BOLT GRADE	BOLT DIA.	CORE DIA.	MAX. CASTING LOADING @45°	MAX. BOLT LOADING @45°	MAX. ALLOWABLE LOADING @45°	CRITICAL DESIGN ELEMENT
CSB-18	65/35	f'c = 4 ksi	A307	2.25"	2.50"	223.4 TONS	92.7 TONS	92.7 TONS	BOLTS



TOP VIEW



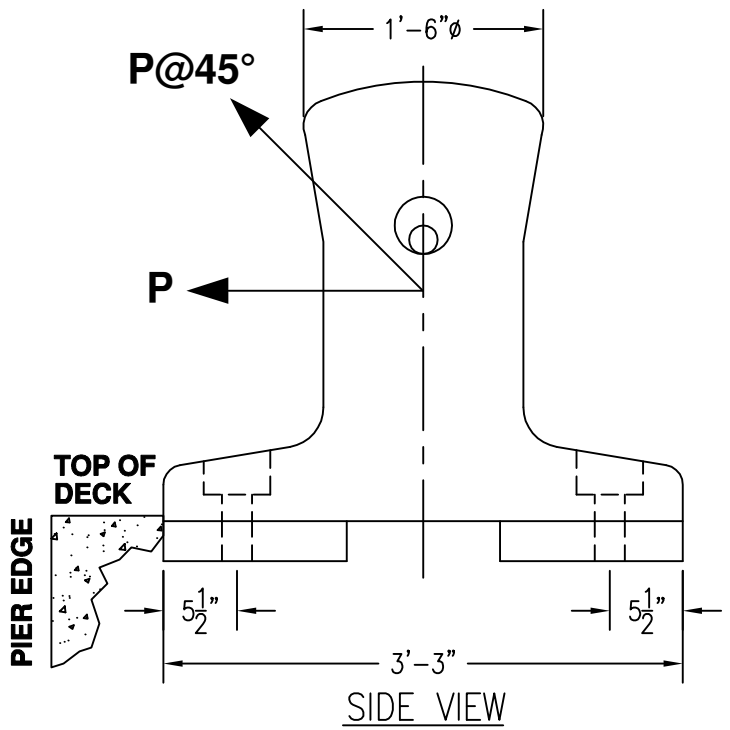
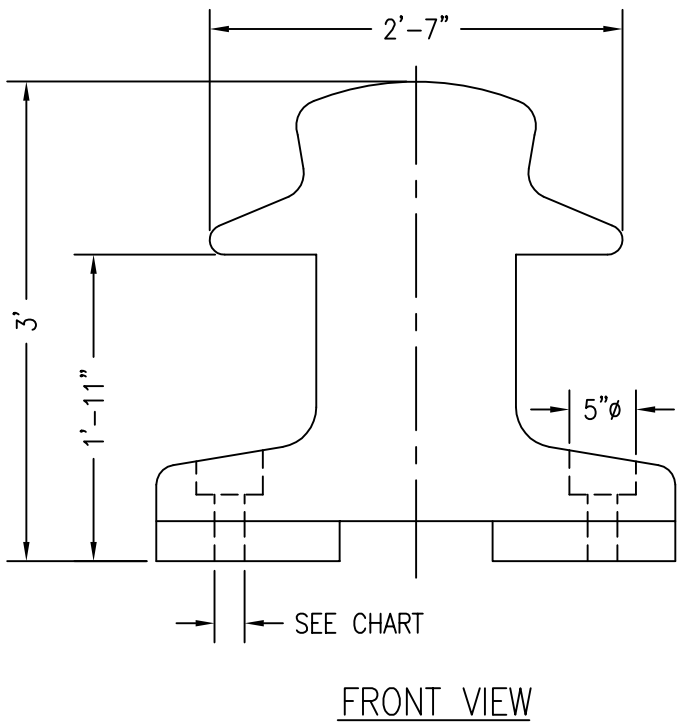
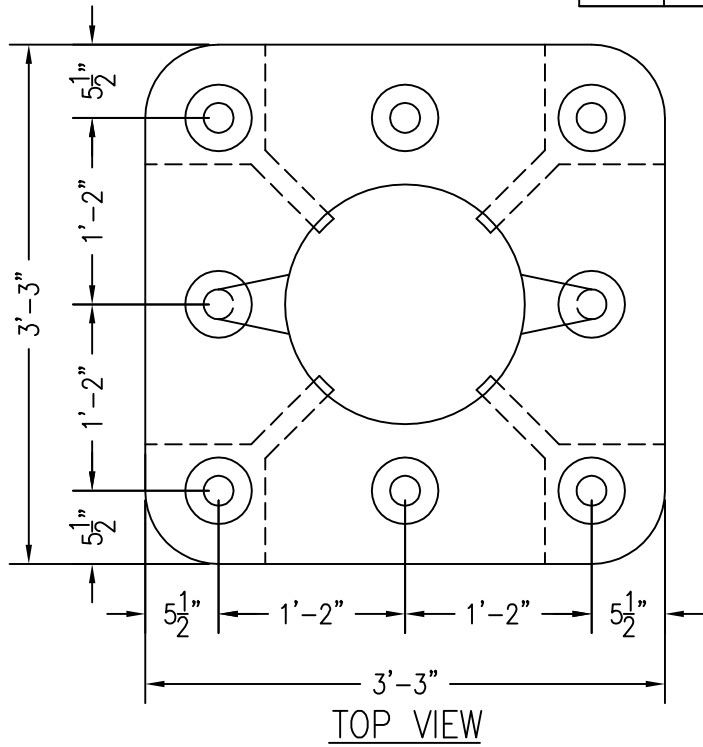
FRONT VIEW



END VIEW

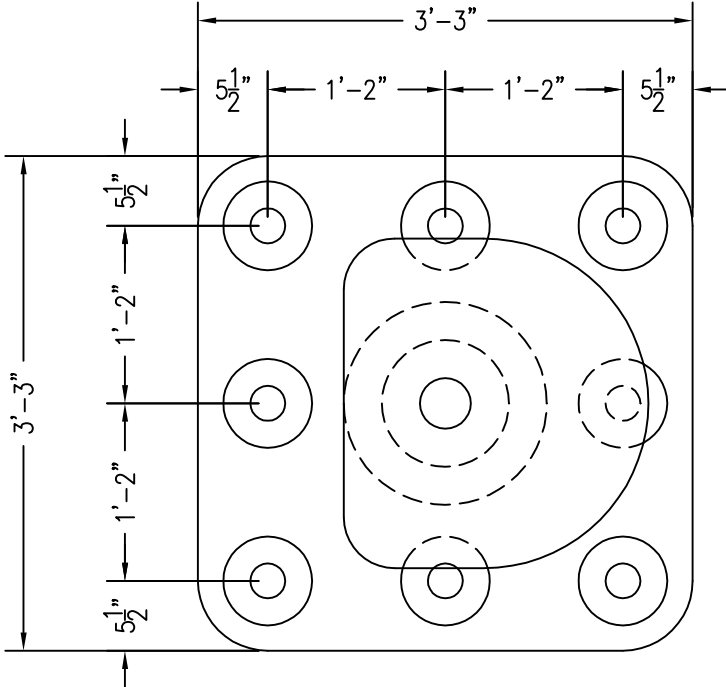
MacElroy		
J. C. MacElroy Co. Inc. 91 ETHEL ROAD WEST, PISCATAWAY, N.J. 08855		
Website: WWW.Macelroy.com - E-mail: info@Macelroy.com Phone: (800) 622-3576		
TITLE CAST STEEL BOLLARD CSB-18		
DRAWN BY EK	CHK'ED BY MJM	ENGINEER BS
CONTR.		SHEET 12 OF
DATE 1/8/04	SCALE N.T.S.	DWG. NO. A-00-1459

DESIGN CRITERIA									
BOLLARD TYPE	CASTING GRADE	COMPRESSIVE STRENGTH OF CONCRETE	BOLT GRADE	BOLT DIA.	CORE DIA.	MAX. CASTING LOADING @45°	MAX. BOLT LOADING @45°	MAX. ALLOWABLE LOADING @45°	CRITICAL DESIGN ELEMENT
CSB-39	65/35	f'c = 4 ksi	A307	2.00"	2.50"	224.8 TONS	99.6 TONS	99.6 TONS	BOLTS

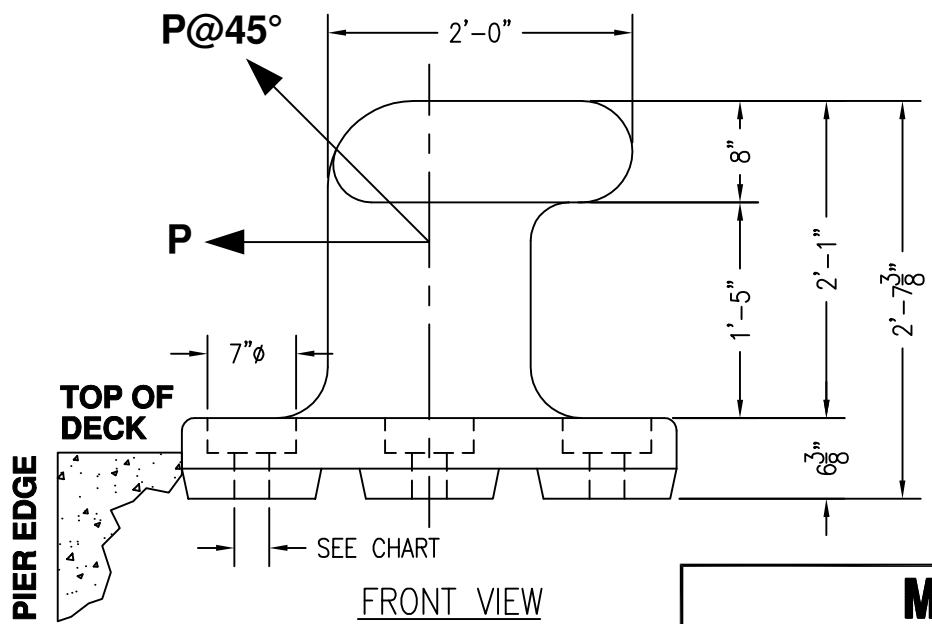


MacElroy		
J. C. MacElroy Co. Inc. 91 ETHEL ROAD WEST, PISCATAWAY, N.J. 08855		
Website: WWW.Macelroy.com - E-mail: info@Macelroy.com Phone: (800) 622-3576		
TITLE CAST STEEL BOLLARD CSB-39		
DRAWN BY EK	CHK'ED BY MJM	ENGINEER BS
CONTR.		SHEET 13 OF
DATE 1/8/04	SCALE N.T.S.	DWG. NO. A-00-1459

DESIGN CRITERIA									
BOLLARD TYPE	CASTING GRADE	COMPRESSIVE STRENGTH OF CONCRETE	BOLT GRADE	BOLT DIA.	CORE DIA.	MAX. CASTING LOADING @45°	MAX. BOLT LOADING @45°	MAX. ALLOWABLE LOADING @45°	CRITICAL DESIGN ELEMENT
CSB-68	65/35	f'c = 4 ksi	A307	2.50"	2.75"	286.3 TONS	181.9 TONS	181.9 TONS	BOLTS



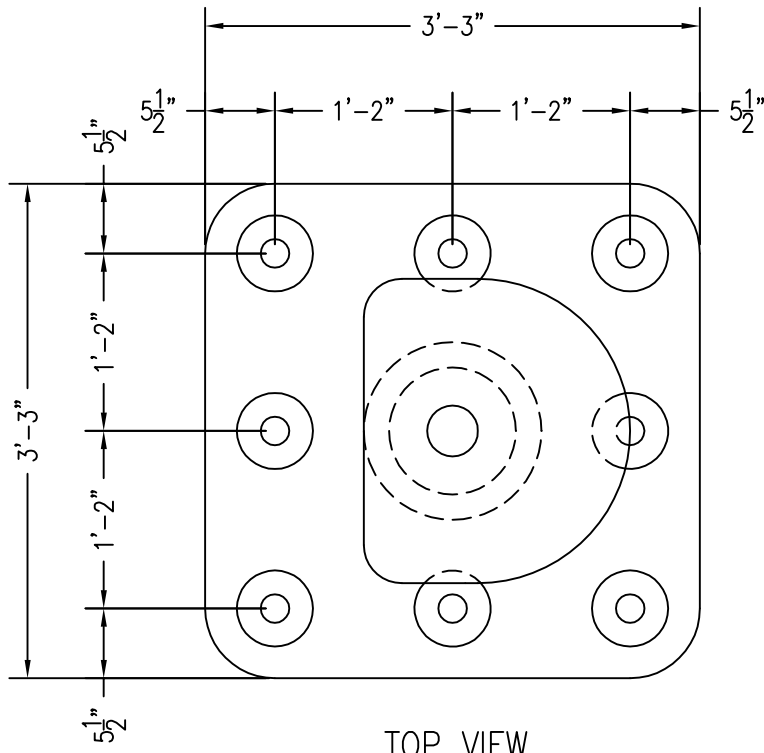
TOP VIEW



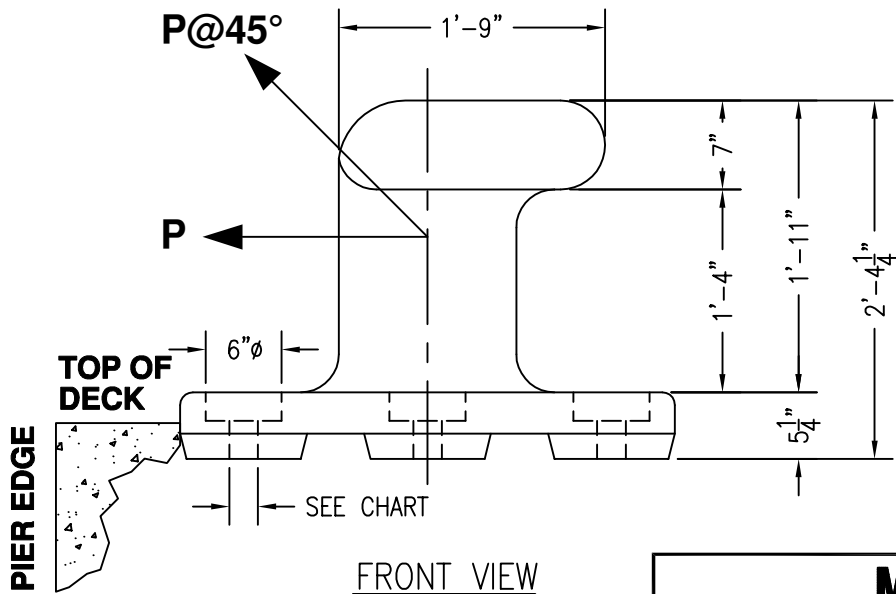
FRONT VIEW

MacElroy		
J. C. MacElroy Co. Inc. 91 ETHEL ROAD WEST, PISCATAWAY, N.J. 08855		
Website: WWW.Macelroy.com - E-mail: info@Macelroy.com Phone: (800) 622-3576		
TITLE CAST STEEL BOLLARD CSB-68		
DRAWN BY EK	CHK'ED BY MJM	ENGINEER BS
CONTR.		SHEET 14 OF
DATE 1/8/04	SCALE N.T.S.	DWG. NO. A-00-1459

DESIGN CRITERIA									
BOLLARD TYPE	CASTING GRADE	COMPRESSIVE STRENGTH OF CONCRETE	BOLT GRADE	BOLT DIA.	CORE DIA.	MAX. CASTING LOADING @45°	MAX. BOLT LOADING @45°	MAX. ALLOWABLE LOADING @45°	CRITICAL DESIGN ELEMENT
CSB-69	65/35	f'c = 4 ksi	A307	2.00"	2.25"	166.2 TONS	115.6 TONS	115.6 TONS	BOLT



TOP VIEW



FRONT VIEW

MacElroy

J. C. MacElroy Co. Inc.

91 ETHEL ROAD WEST, PISCATAWAY, N.J. 08855

Website: WWW.Macelroy.com - E-mail: info@Macelroy.com
Phone: (800) 622-3576

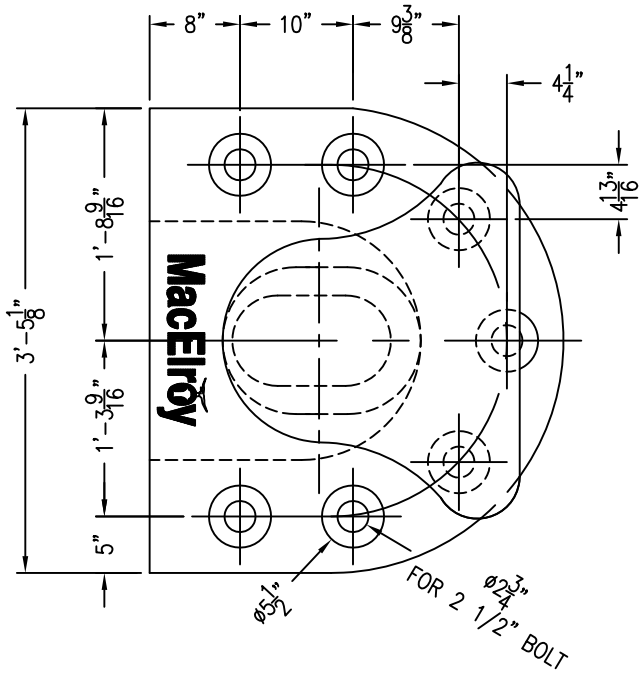
TITLE
CAST STEEL BOLLARD
CSB-69

DRAWN BY EK | CHK'ED BY MJM | ENGINEER BS

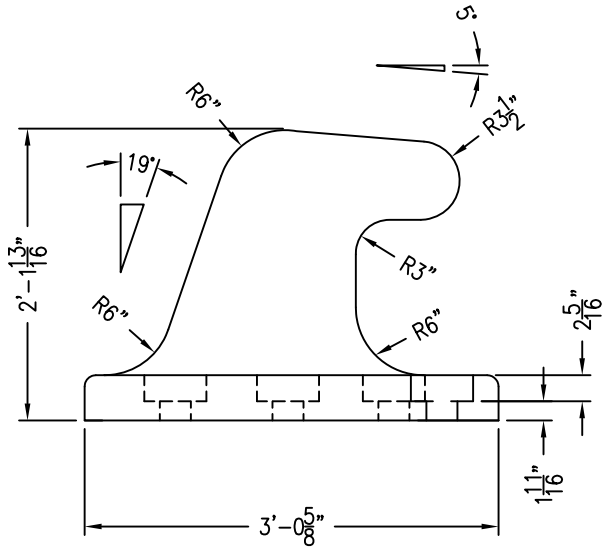
CONTR. | SHEET 15 OF

DATE 1/8/04 | SCALE N.T.S. | DWG. NO. A-00-1459

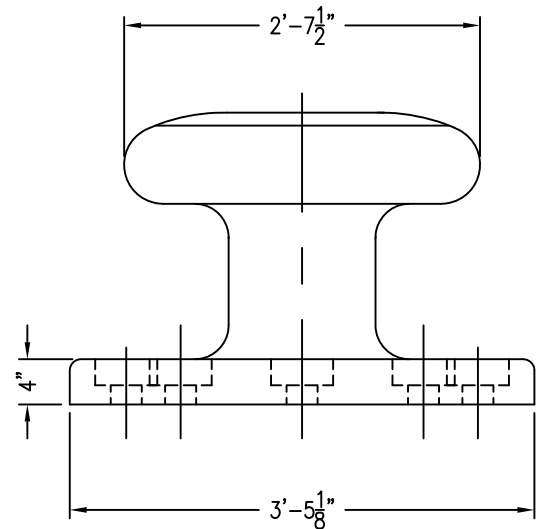
REV. NO.	ZONE	DESCRIPTION	DATE	BY



PLAN



ELEVATION



END

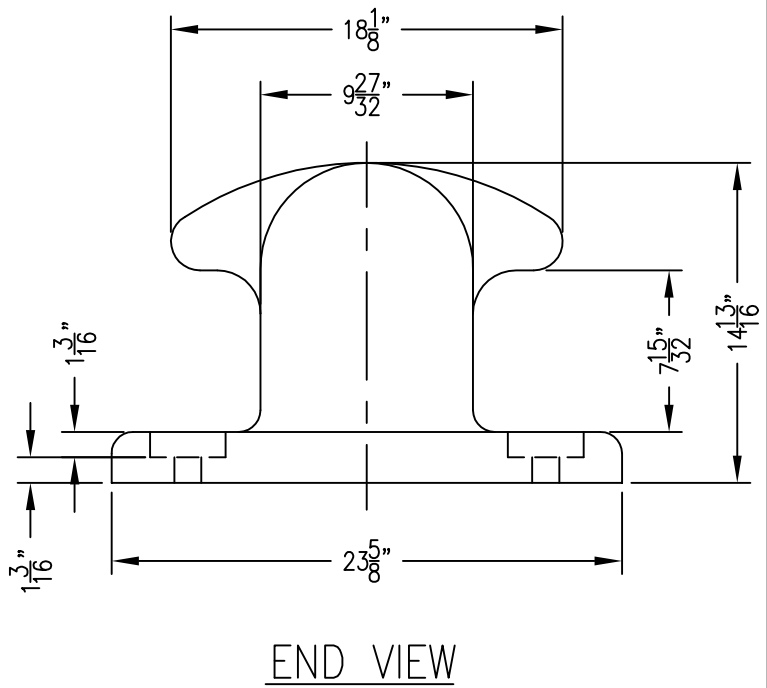
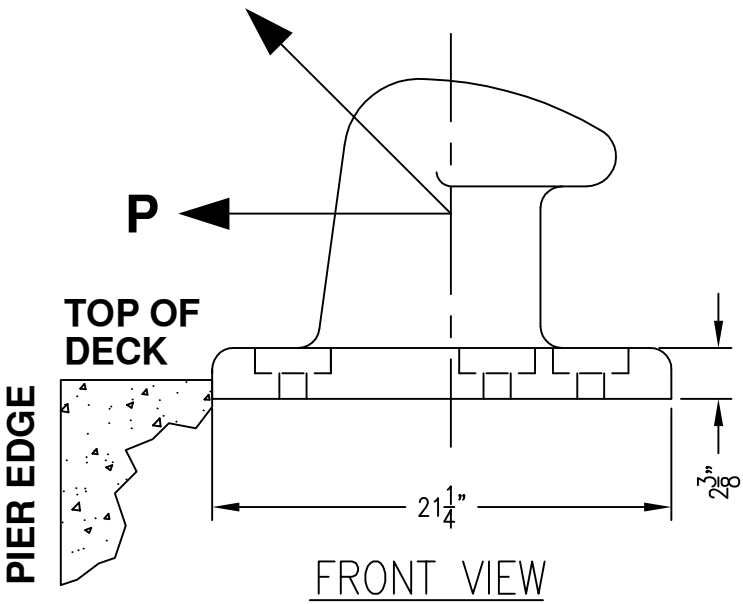
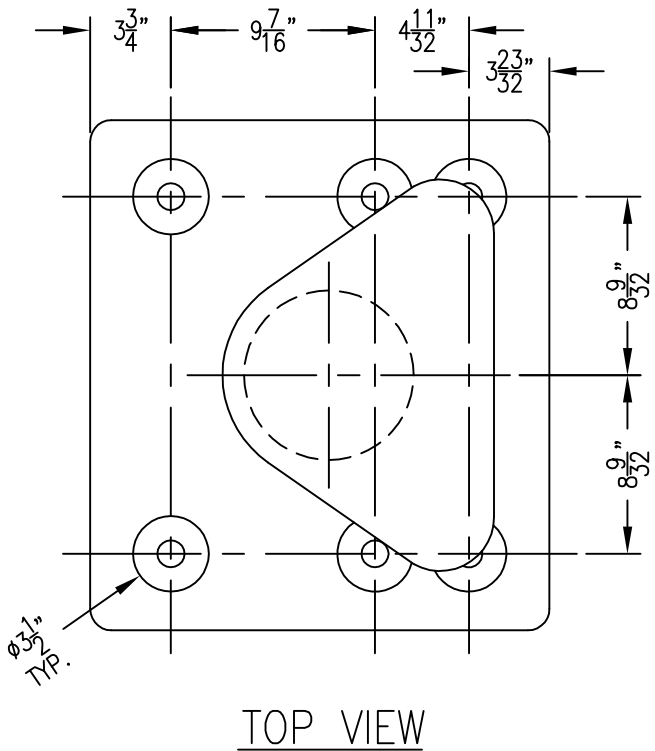
MacElroy

J. C. MacElroy Co. Inc.
91 ETHEL ROAD WEST, PISCATAWAY, N.J. 08855

TITLE
CAST STEEL BOLLARD
CSB-70

DRAWN BY EK	CHK'ED BY MJM	ENGINEER MH
CONTR.	SHEET 1 OF	
DATE 3/8/07	SCALE 3/4"=1'	DWG. NO. A-07-1937

REV. NO.	ZONE	DESCRIPTION	DATE	APP. BY



MacElroy

J. C. MacElroy Co. Inc.
91 ETHEL ROAD WEST, PISCATAWAY, N.J. 08855

TITLE
CAST STEEL BOLLARD
C.S.B.-101

DRAWN BY EK	CHK'ED BY MJM	ENGINEER BS
CONTR.		SHEET 16 OF
DATE 1/8/04	SCALE N.T.S.	DWG. NO. A-00-1459

CLEATS

To Engineers/Architects –

A complete specification section for inclusion into your contract documents can be provided upon request.

PART 2 – PRODUCTS

2.1 Cleats to be provided by: J.C. MacElroy Company, Inc., Phone: (732) 572-7100, Fax: (732) 572-7112, E-mail: info@macelroy.com, Website: www.macelroy.com

2.2 MATERIALS

A. Model – CSC-2A:

1. Material: Cast Steel, ASTM A27/A27M, Grade 65-35
2. Provide anchor bolts to ensure proper installation. Anchor bolts shall comply with ASTM A307 and associated plates to comply with ASTM A36/A36M.

B. Model – CSC-3:

1. Material: Cast Steel, ASTM A27/A27M, Grade 65-35
2. Provide anchor bolts to ensure proper installation. Anchor bolts shall comply with ASTM A307 and associated plates to comply with ASTM A36/A36M.

C. Model – CSC-4:

1. Material: Cast Steel, ASTM A27/A27M, Grade 65-35
2. Provide anchor bolts to ensure proper installation. Anchor bolts shall comply with ASTM A307 and associated plates to comply with ASTM A36/A36M.

D. Model – CSC-6:

1. Material: Cast Steel, ASTM A27/A27M, Grade 65-35
2. Provide anchor bolts to ensure proper installation. Anchor bolts shall comply with ASTM A307 and associated plates to comply with ASTM A36/A36M.

E. Model – CSC-6B:

1. Material: Cast Steel, ASTM A27/A27M, Grade 65-35
2. Provide anchor bolts to ensure proper installation. Anchor bolts shall comply with ASTM A307 and associated plates to comply with ASTM A36/A36M.

- F. Model – CSC-9C:
 - 1. Material: Cast Steel, ASTM A27/A27M, Grade 65-35
 - 2. Provide anchor bolts to ensure proper installation. Anchor bolts shall comply with ASTM A307 and associated plates to comply with ASTM A36/A36M.

- G. Model – CSC-24:
 - 1. Material: Cast Steel, ASTM A27/A27M, Grade 65-35
 - 2. Provide anchor bolts to ensure proper installation. Anchor bolts shall comply with ASTM A307 and associated plates to comply with ASTM A36/A36M.

- H. Model – CSC-45:
 - 1. Material: Cast Steel, ASTM A27/A27M, Grade 65-35
 - 2. Provide anchor bolts to ensure proper installation. Anchor bolts shall comply with ASTM A307 and associated plates to comply with ASTM A36/A36M.

- I. Model – CSC-51:
 - 1. Material: Cast Steel, ASTM A27/A27M, Grade 65-35
 - 2. Provide anchor bolts to ensure proper installation. Anchor bolts shall comply with ASTM A307 and associated plates to comply with ASTM A36/A36M.

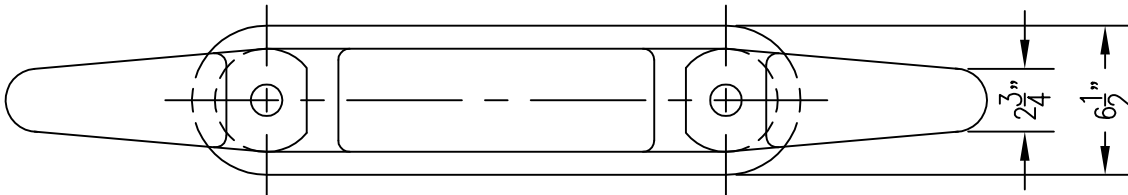
- J. Model – CSC-72:
 - 1. Material: Cast Steel, ASTM A27/A27M, Grade 65-35
 - 2. Provide anchor bolts to ensure proper installation. Anchor bolts shall comply with ASTM A307 and associated plates to comply with ASTM A36/A36M.

2.3 FINISH

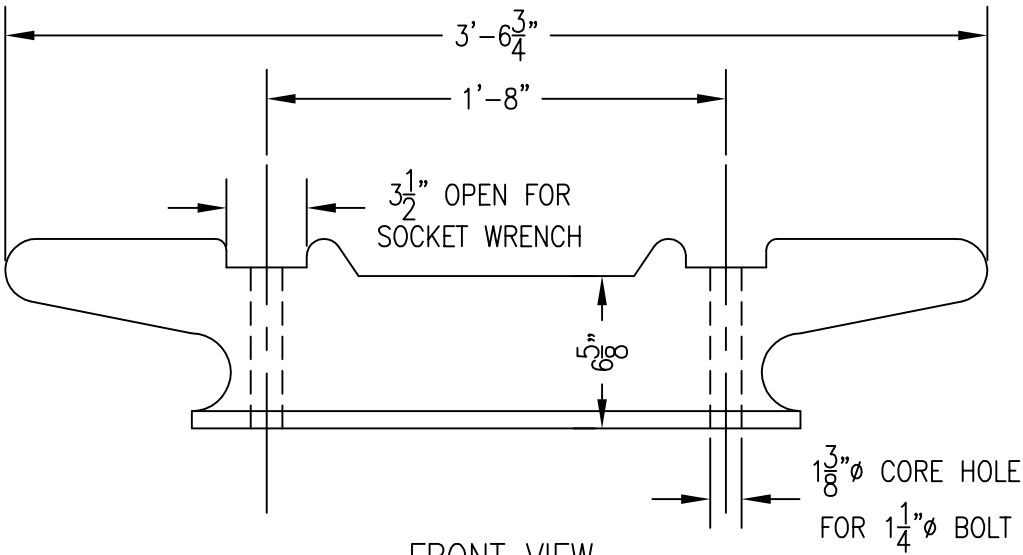
- A. Standard finish is one coat of metal primer unless specified otherwise.

- B. Where cleat is required by Engineer to be painted, painting of cleat shall be performed in conformity with the specification.

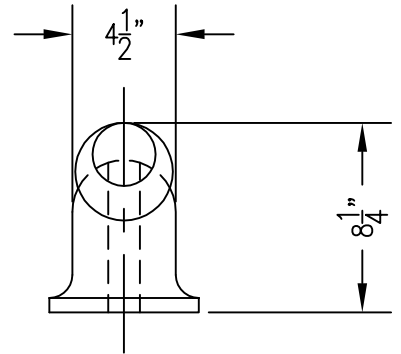
REV. NO.	ZONE	DESCRIPTION	DATE	APP. BY



TOP VIEW



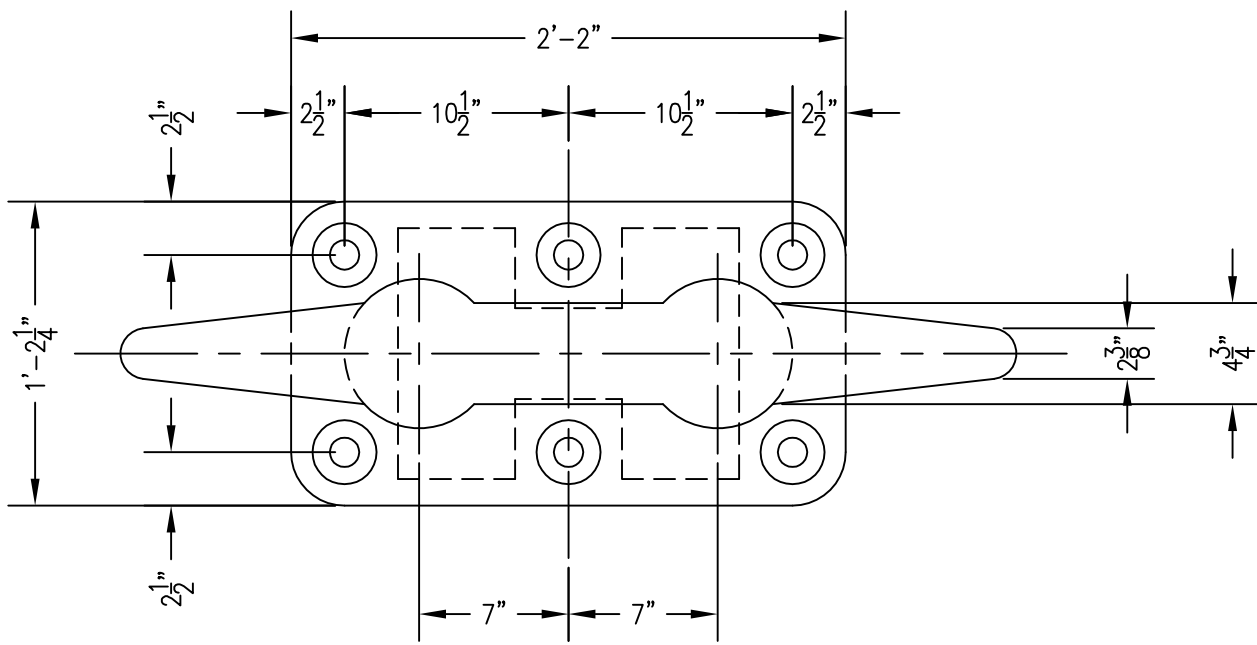
FRONT VIEW



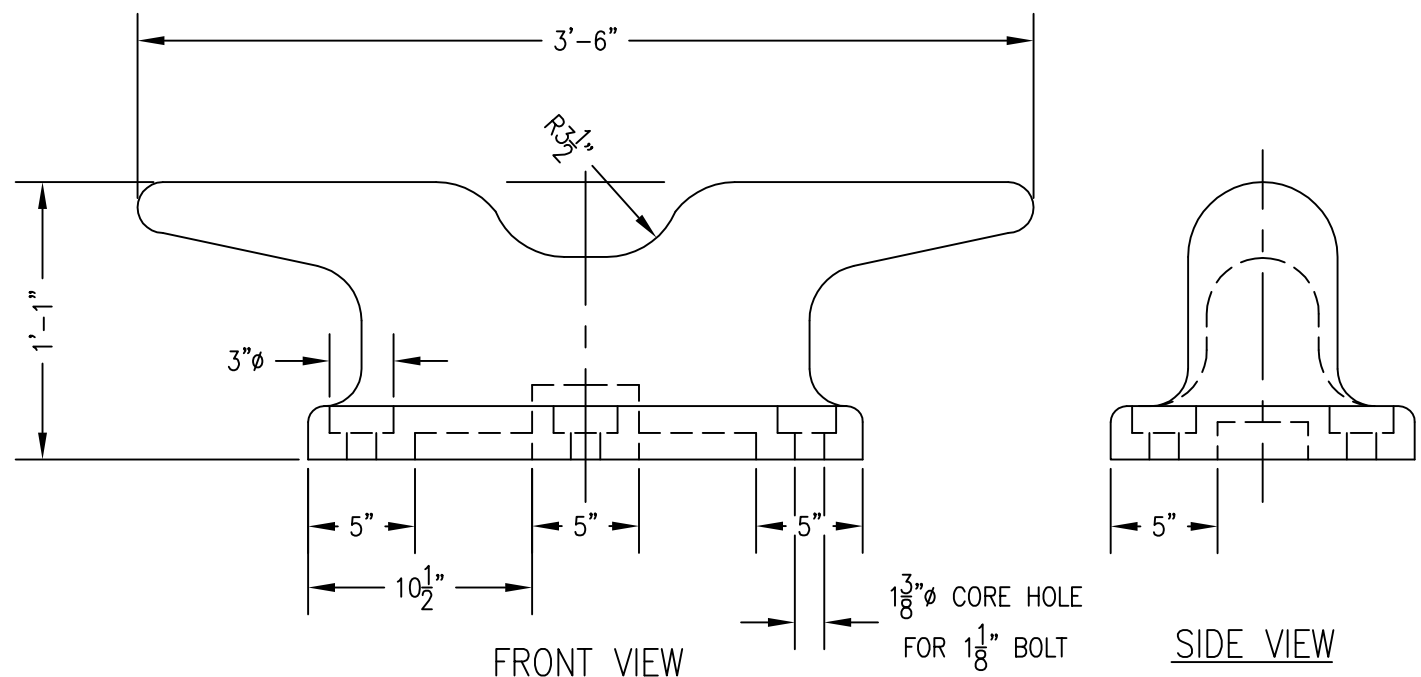
SIDE VIEW

MacElroy		
J. C. MacElroy Co. Inc. 91 ETHEL ROAD WEST, PISCATAWAY, N.J. 08855		
Website: WWW.Macelroy.com - E-mail: info@Macelroy.com Phone: (800) 622-3576		
TITLE CAST STEEL CLEAT CSC-2A		
DRAWN BY EK	CHK'ED BY MJM	ENGINEER BS
CONTR.		SHEET 1 OF
DATE 1/19/04	SCALE N.T.S.	DWG. NO. A-00-1531

REV. NO.	ZONE	DESCRIPTION	DATE	APP. BY



PLAN VIEW

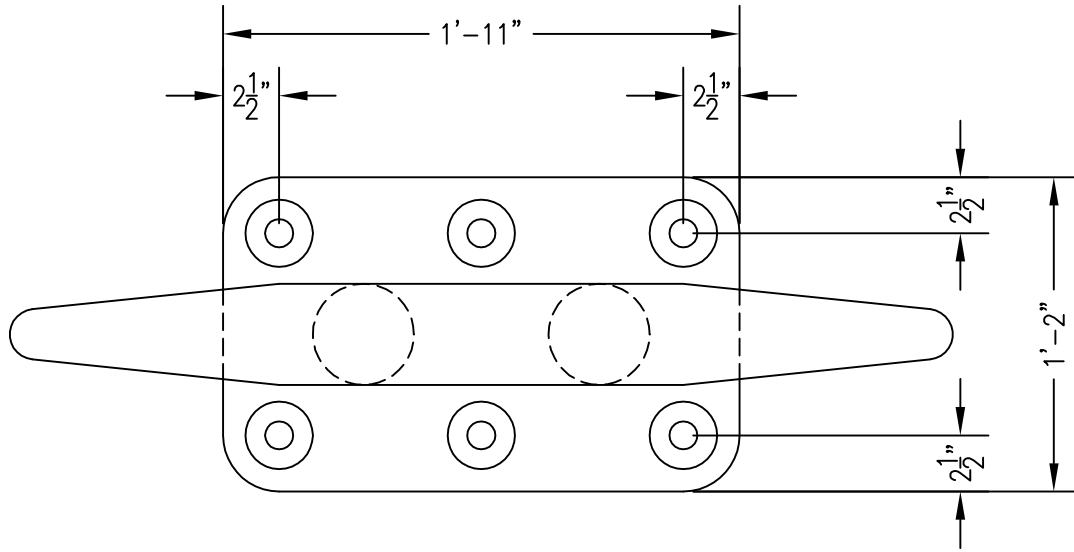


FRONT VIEW

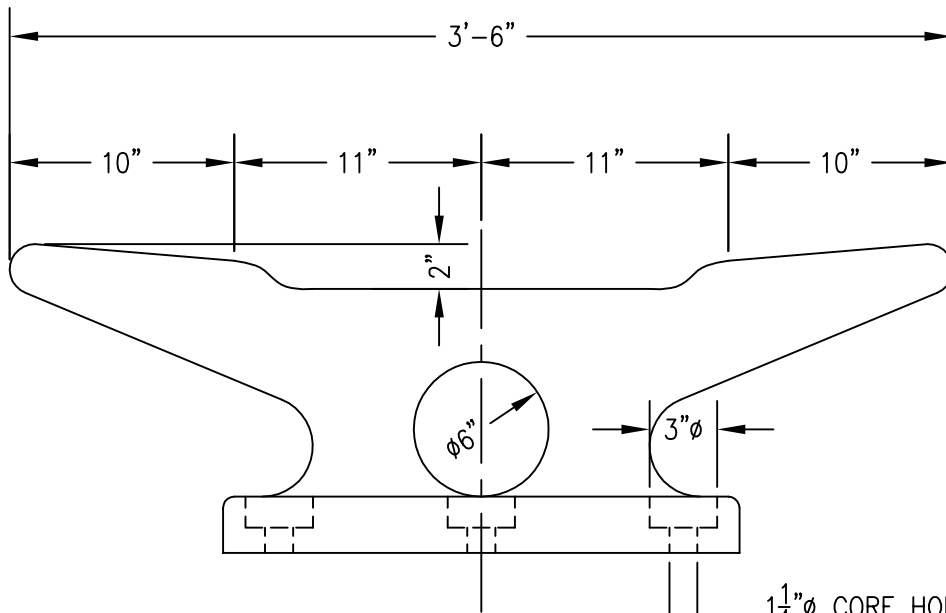
SIDE VIEW

MacElroy		
J. C. MacElroy Co. Inc. 91 ETHEL ROAD WEST, PISCATAWAY, N.J. 08855		
Website: WWW.Macelroy.com - E-mail: info@Macelroy.com Phone: (800) 622-3576		
TITLE CAST STEEL CLEAT CSC-3		
DRAWN BY EK	CHK'ED BY MJM	ENGINEER BS
CONTR.		SHEET 2 OF
DATE 1/19/04	SCALE N.T.S.	DWG. NO. A-00-1531

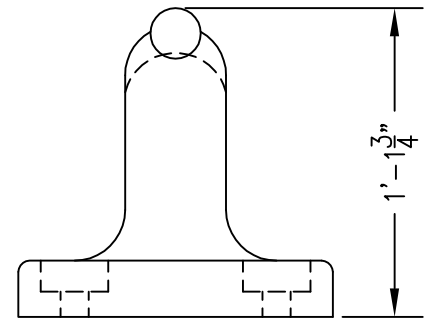
REV. NO.	ZONE	DESCRIPTION	DATE	APP. BY



TOP VIEW



FRONT VIEW

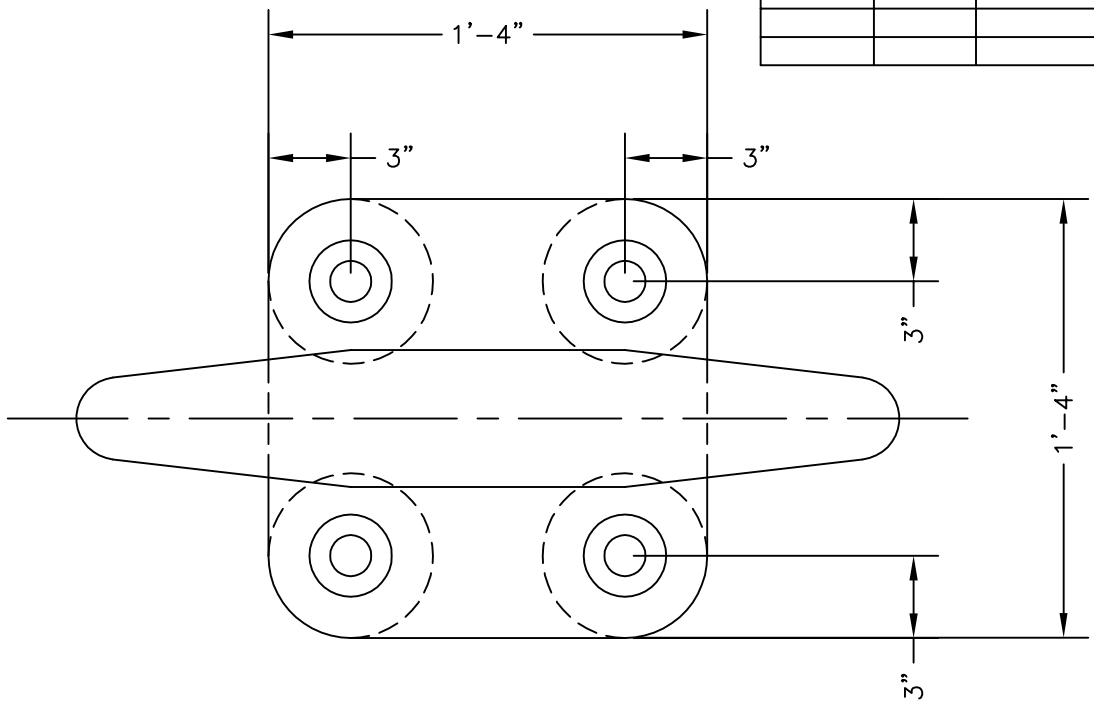


SIDE VIEW

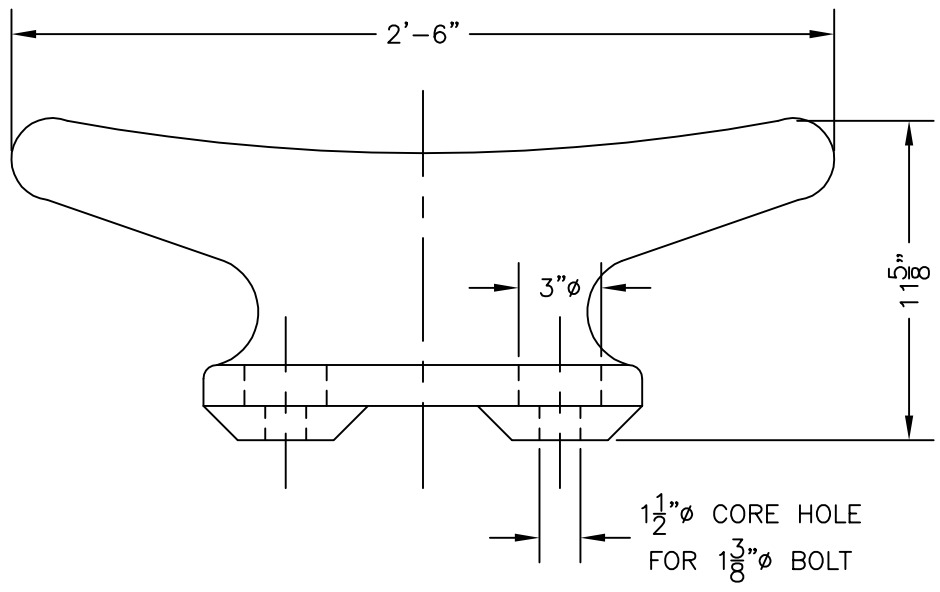
1 1/4" ϕ CORE HOLE
FOR 1 1/8" ϕ BOLT

MacElroy		
J. C. MacElroy Co. Inc. 91 ETHEL ROAD WEST, PISCATAWAY, N.J. 08855		
Website: WWW.Macelroy.com - E-mail: info@Macelroy.com Phone: (800) 622-3576		
TITLE CAST STEEL CLEAT CSC-4		
DRAWN BY EK	CHK'ED BY MJM	ENGINEER BS
CONTR.	SHEET 3 OF	
DATE 1/19/04	SCALE N.T.S.	DWG. NO. A-00-1531

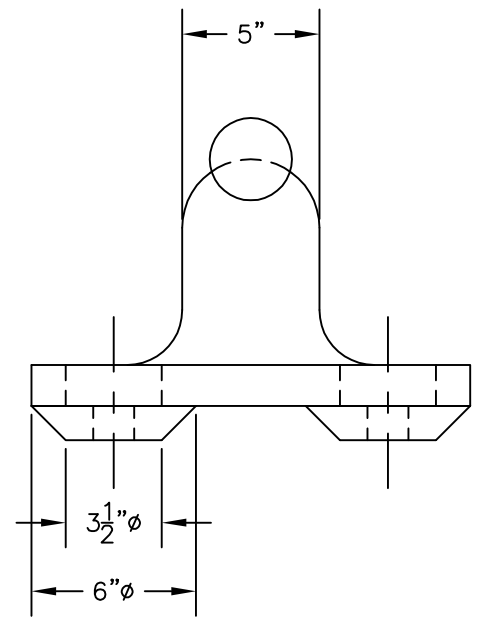
REV. NO.	ZONE	DESCRIPTION	DATE	APP. BY



TOP VIEW



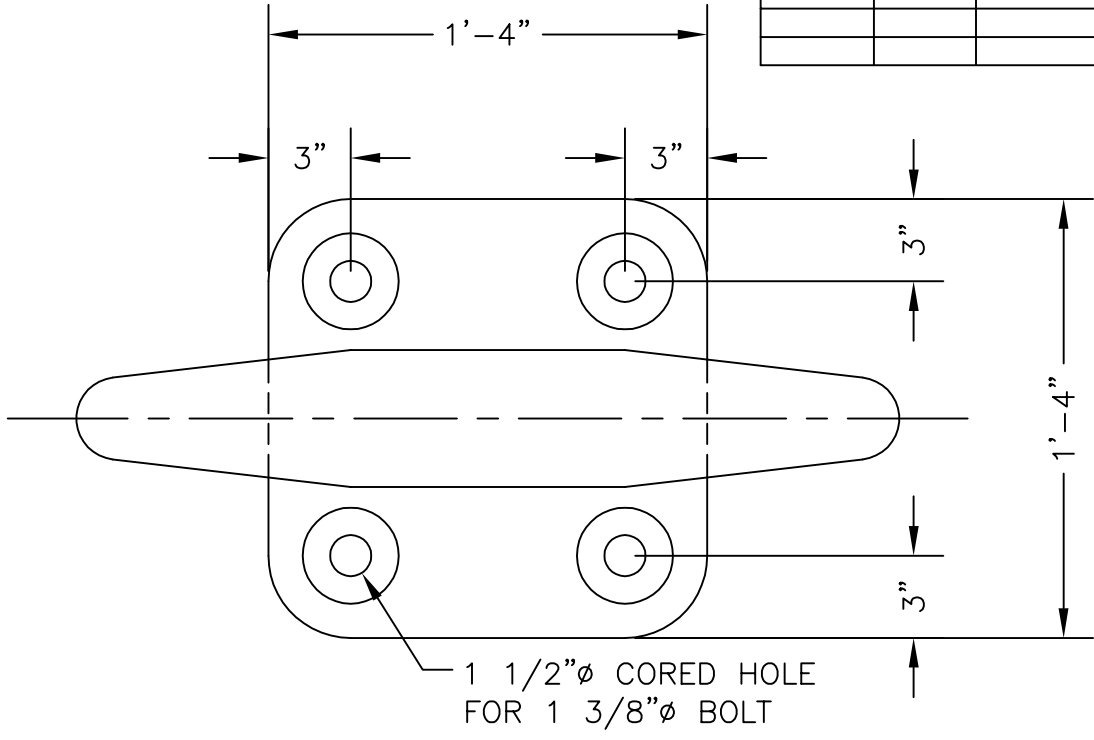
FRONT VIEW



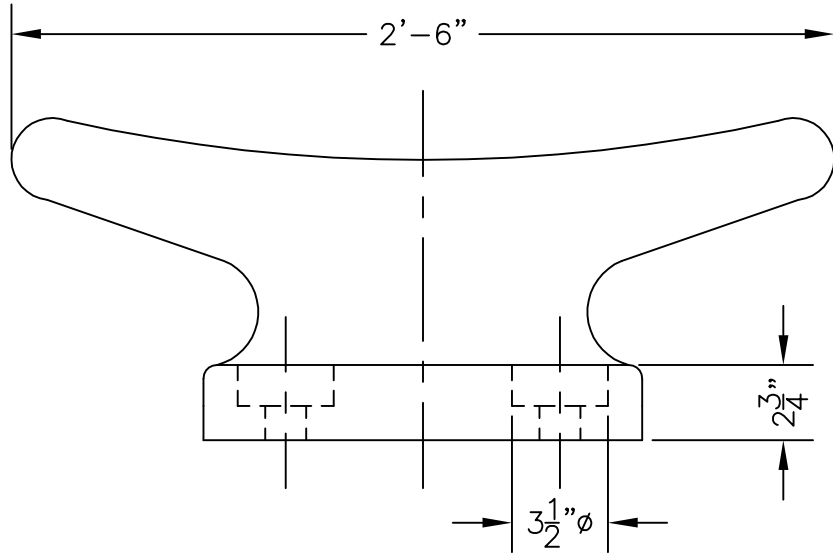
SIDE VIEW

MacElroy		
J. C. MacElroy Co. Inc. 91 ETHEL ROAD WEST, PISCATAWAY, N.J. 08855		
Website: WWW.Macelroy.com - E-mail: info@Macelroy.com Phone: (800) 622-3576		
TITLE CAST STEEL CLEAT CSC-6		
DRAWN BY EK	CHK'ED BY MJM	ENGINEER BS
CONTR.		SHEET 4 OF
DATE 1/19/04	SCALE N.T.S.	DWG. NO. A-00-1531

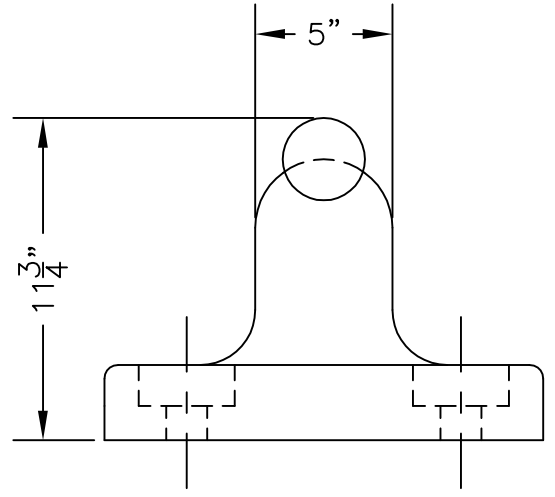
REV. NO.	ZONE	DESCRIPTION	DATE	APP. BY



TOP VIEW



FRONT VIEW

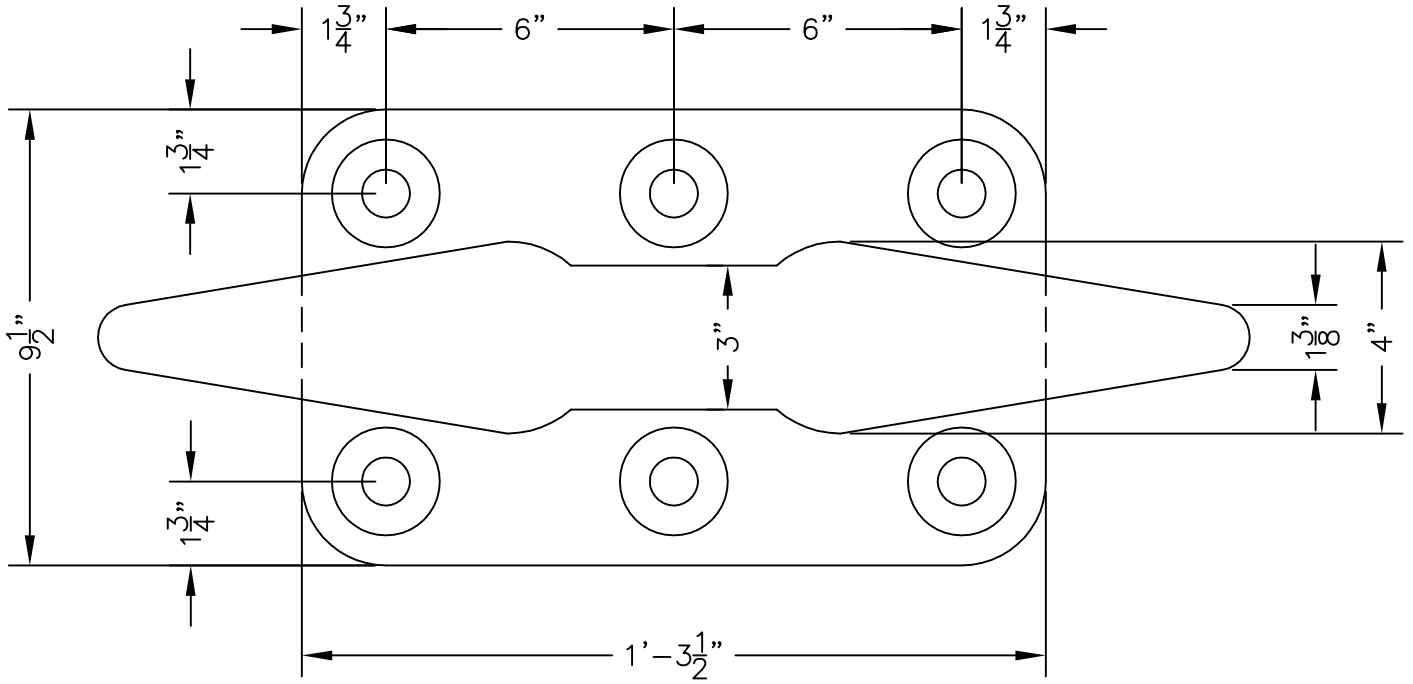


END VIEW

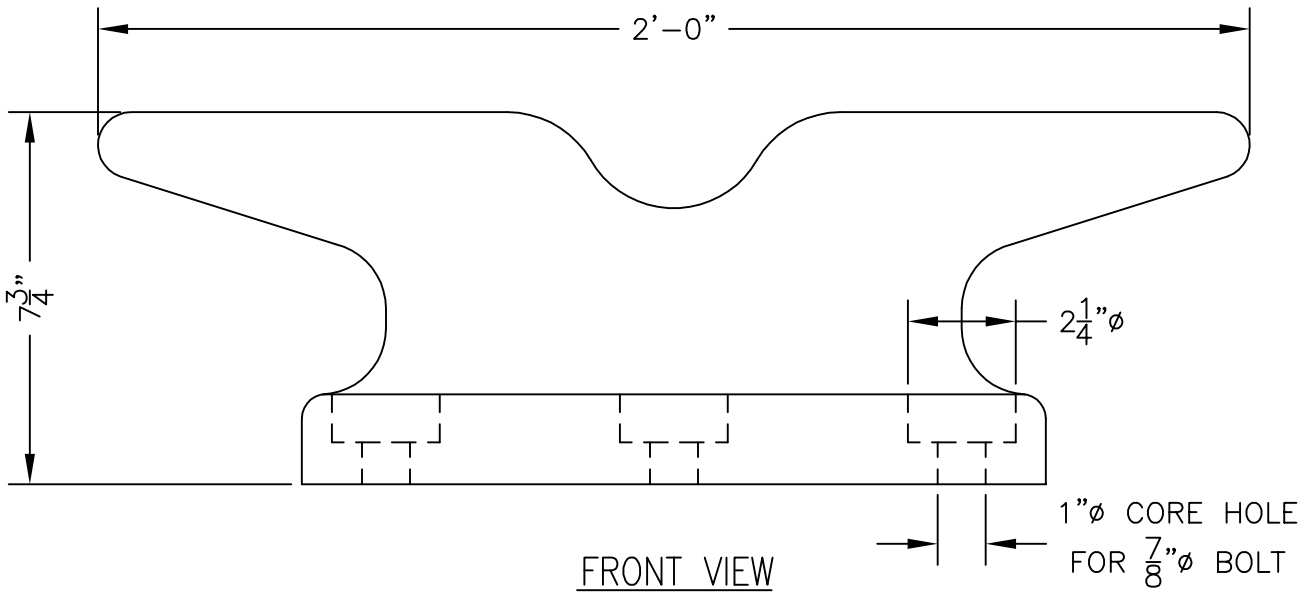
C:\ACAD-DWG'S\CLEATS\CSC-6B_CUST..DWG

MacElroy		
J. C. MacElroy Co. Inc. 91 ETHEL ROAD WEST, PISCATAWAY, N.J. 08855		
Website: WWW.Macelroy.com - E-mail: info@Macelroy.com Phone: (800) 622-3756		
TITLE CAST STEEL CLEAT CSC-6B		
DRAWN BY EK	CHK'ED BY	ENGINEER
CONTR.	SHEET 4A OF	
DATE 1/15/01	SCALE N.T.S.	DWG. NO. A-00-1531

REV. NO.	ZONE	DESCRIPTION	DATE	APP. BY



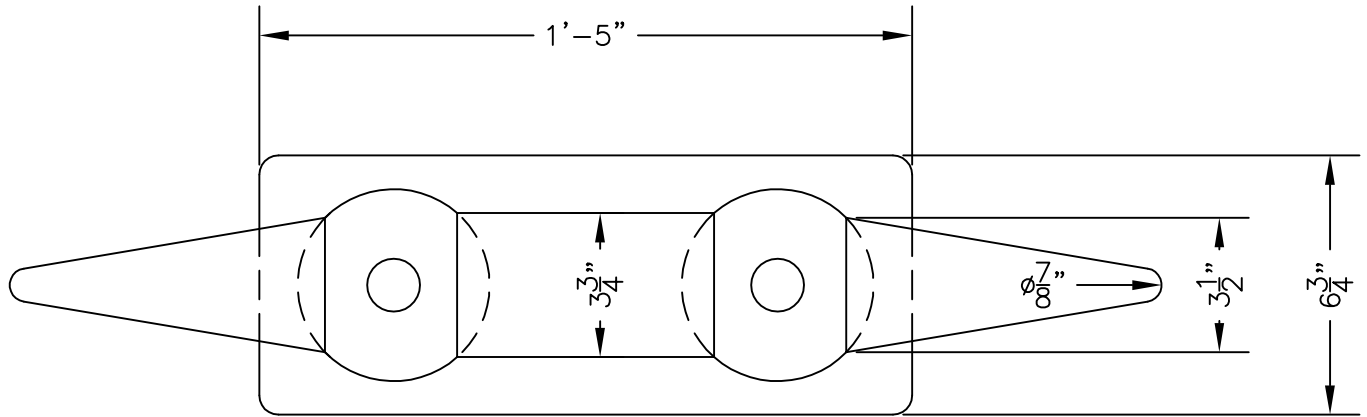
TOP VIEW



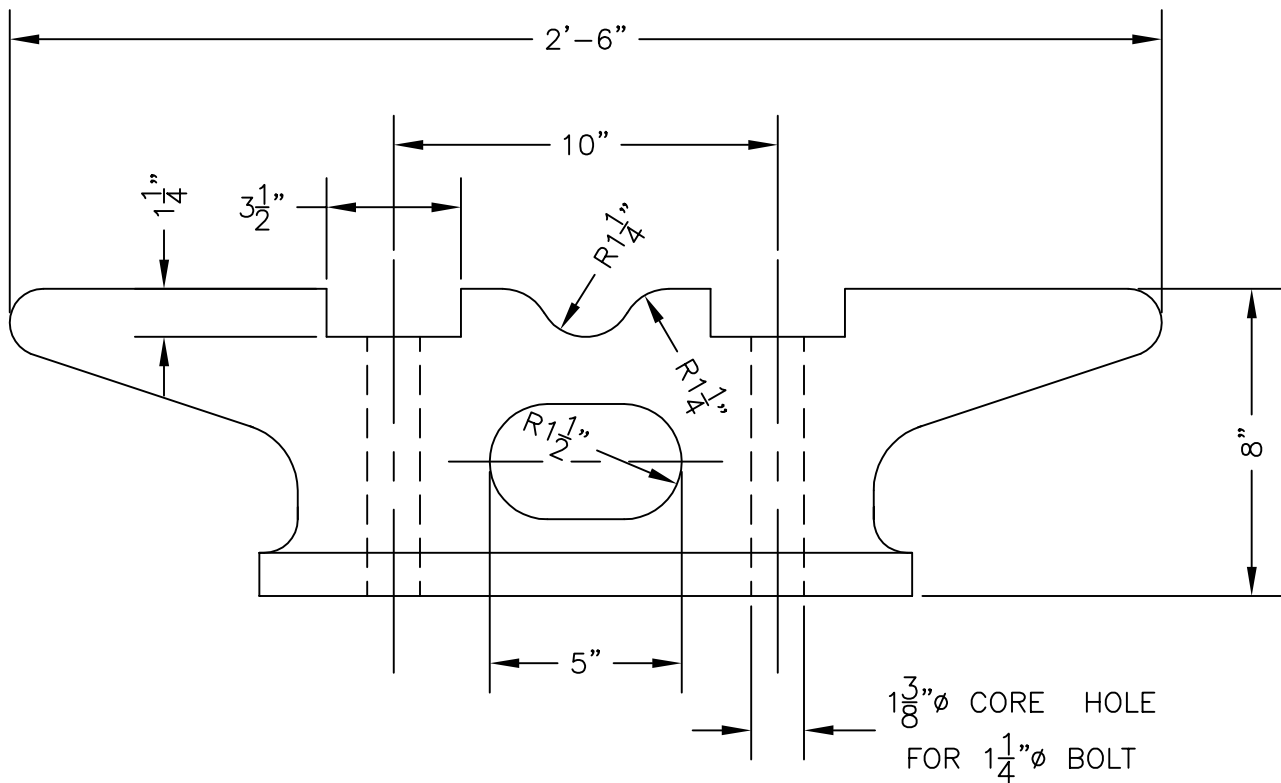
FRONT VIEW

MacElroy		
J. C. MacElroy Co. Inc. 91 ETHEL ROAD WEST, PISCATAWAY, N.J. 08855		
Website: WWW.Macelroy.com - E-mail: info@Macelroy.com Phone: (800) 622-3576		
TITLE CAST STEEL CLEAT CSC-9C		
DRAWN BY EK	CHK'ED BY MJM	ENGINEER BS
CONTR.	SHEET 5 OF	
DATE 1/19/04	SCALE N.T.S.	DWG. NO. A-00-1531

REV. NO.	ZONE	DESCRIPTION	DATE	APP. BY



TOP VIEW

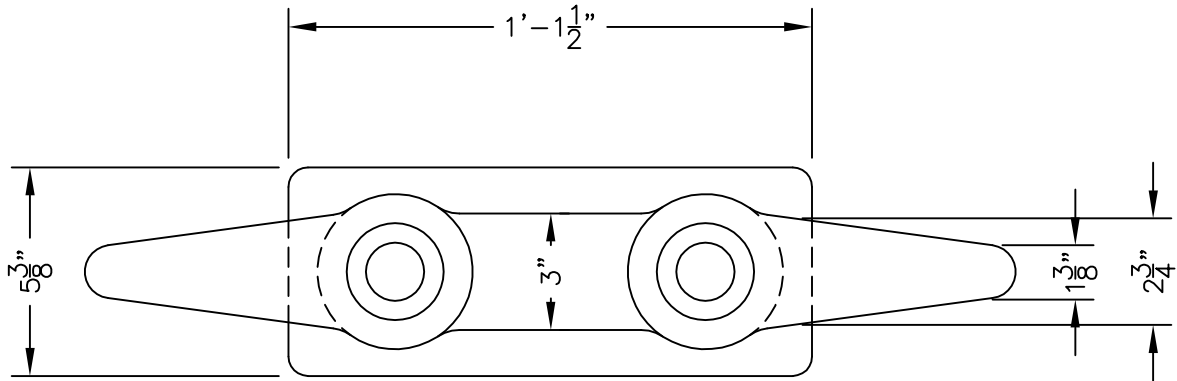


FRONT VIEW

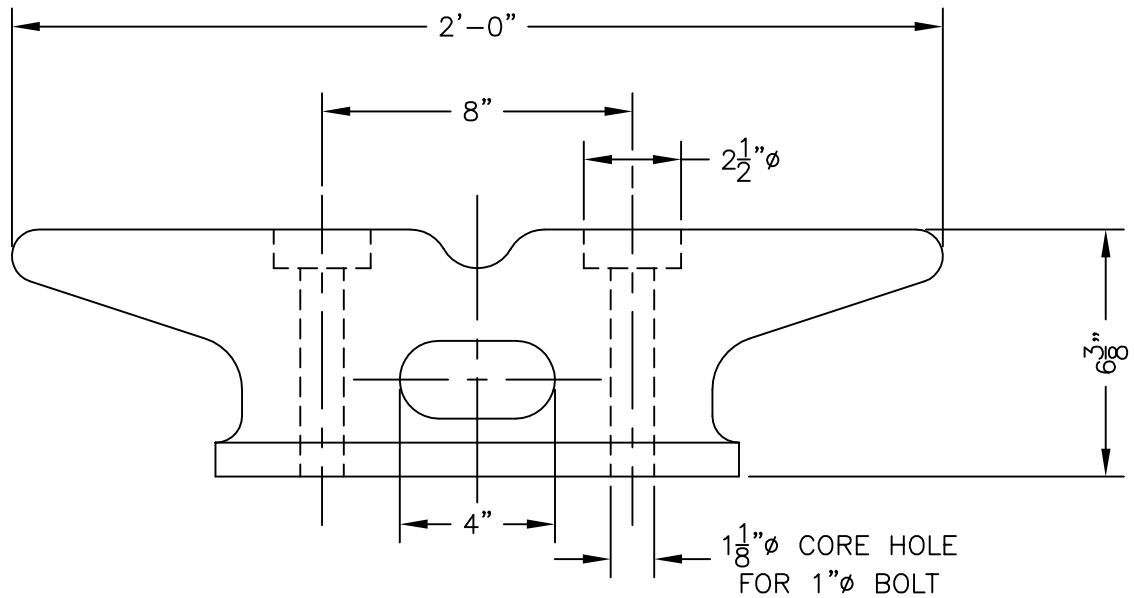
1 3/8" ϕ CORE HOLE
FOR 1 1/4" ϕ BOLT

MacElroy		
J. C. MacElroy Co. Inc. 91 ETHEL ROAD WEST, PISCATAWAY, N.J. 08855		
Website: WWW.Macelroy.com - E-mail: info@Macelroy.com Phone: (800) 622-3576		
TITLE CAST STEEL CLEAT CSC-24		
DRAWN BY EK	CHK'ED BY MJM	ENGINEER BS
CONTR.	SHEET 6 OF	
DATE 1/19/04	SCALE N.T.S.	DWG. NO. A-00-1531

REV. NO.	ZONE	DESCRIPTION	DATE	APP. BY



TOP VIEW



FRONT VIEW

MacElroy

J. C. MacElroy Co. Inc.

91 ETHEL ROAD WEST, PISCATAWAY, N.J. 08855

Website: WWW.Macelroy.com - E-mail: info@Macelroy.com

Phone: (800) 622-3576

TITLE

CAST STEEL CLEAT
CSC-45

DRAWN BY EK

CHK'ED BY MJM


ENGINEER BS

CONTR.

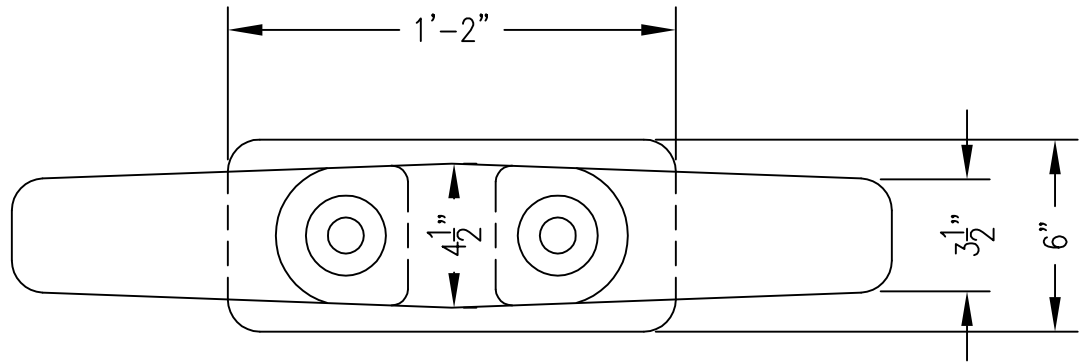
SHEET 7 OF

DATE 1/19/04

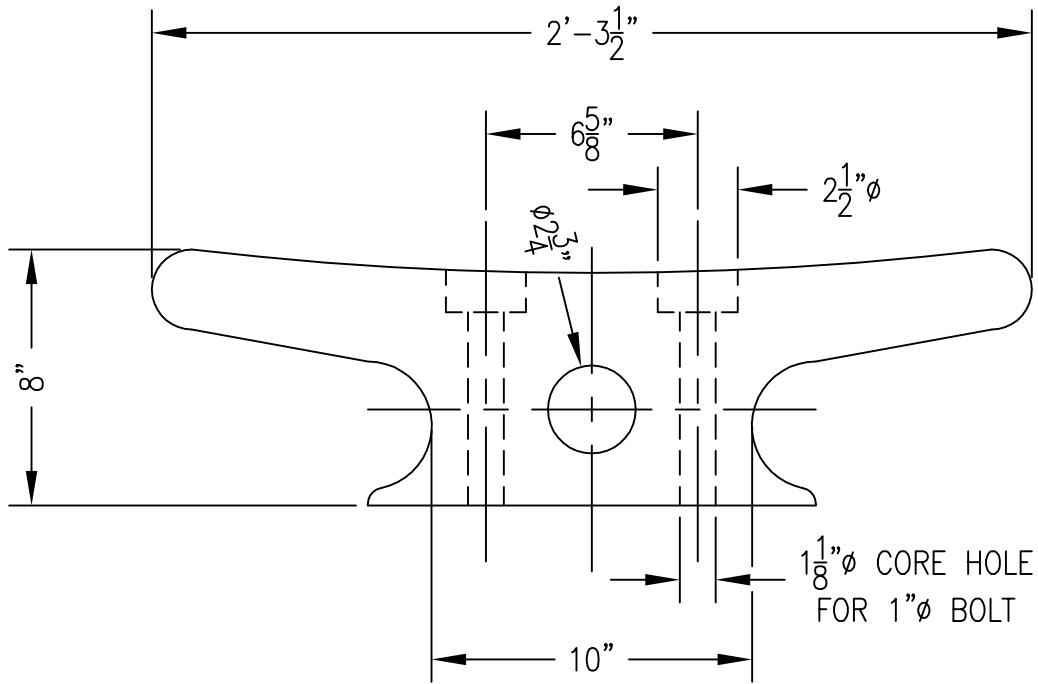
SCALE N.T.S.

DWG. NO. A-00-1531 

REV. NO.	ZONE	DESCRIPTION	DATE	APP. BY



TOP VIEW



FRONT VIEW

MacElroy

J. C. MacElroy Co. Inc.

91 ETHEL ROAD WEST, PISCATAWAY, N.J. 08855

Website: WWW.Macelroy.com - E-mail: info@Macelroy.com

Phone: (800) 622-3576

TITLE

CAST STEEL CLEAT
CSC-51

DRAWN BY EK

CHK'ED BY MJM

ENGINEER BS

CONTR.

SHEET 8 OF

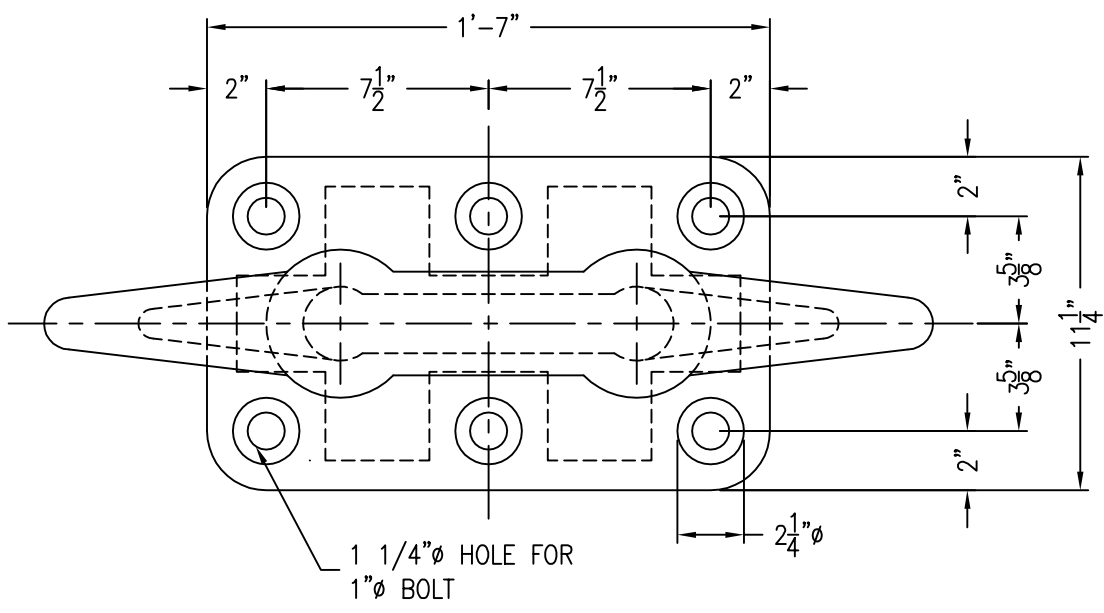
DATE 1/19/04

SCALE N.T.S.

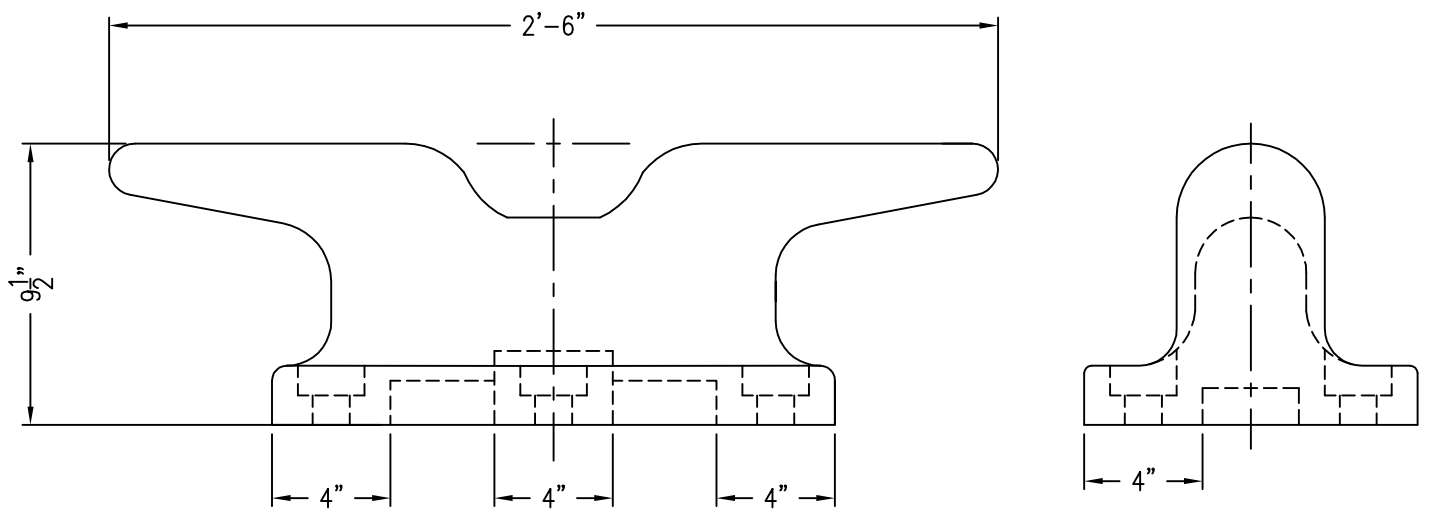
DWG. NO. A-00-1531



REV. NO.	ZONE	DESCRIPTION	DATE	APP. BY



PLAN VIEW



PART ELEVATION SECT.

FILE: E:\MACELROY SEASCAPES CATALOG\CSC\CSC-72.DWG DATE: DEC 22, 2005 - 9:23AM

MacElroy		
J. C. MacElroy Co. Inc. 91 ETHEL ROAD WEST, PISCATAWAY, N.J. 08855		
Website: WWW.Macelroy.com - E-mail: info@Macelroy.com Phone: (800) 622-3756		
TITLE CAST STEEL CLEAT CSB-72		
DRAWN BY EK	CHK'ED BY	ENGINEER
CONTR.	SHEET 9 OF	
DATE 4/24/00	SCALE N.T.S.	DWG. NO. A-00-1531

SECURITY BOLLARDS

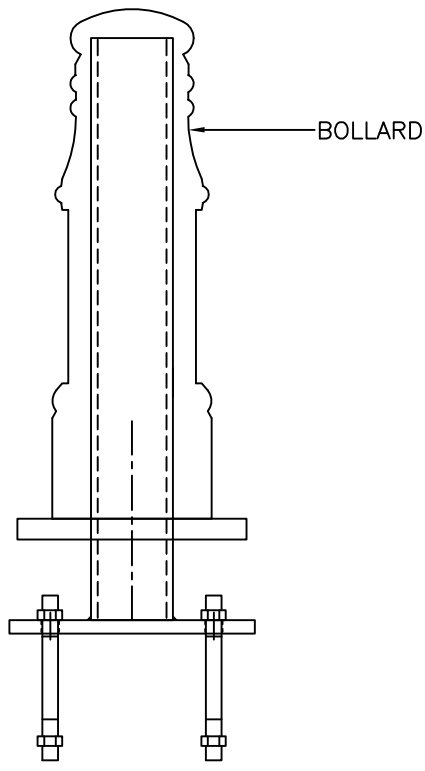
To Engineers/Architects –

A complete specification section for inclusion into your contract documents can be provided upon request.

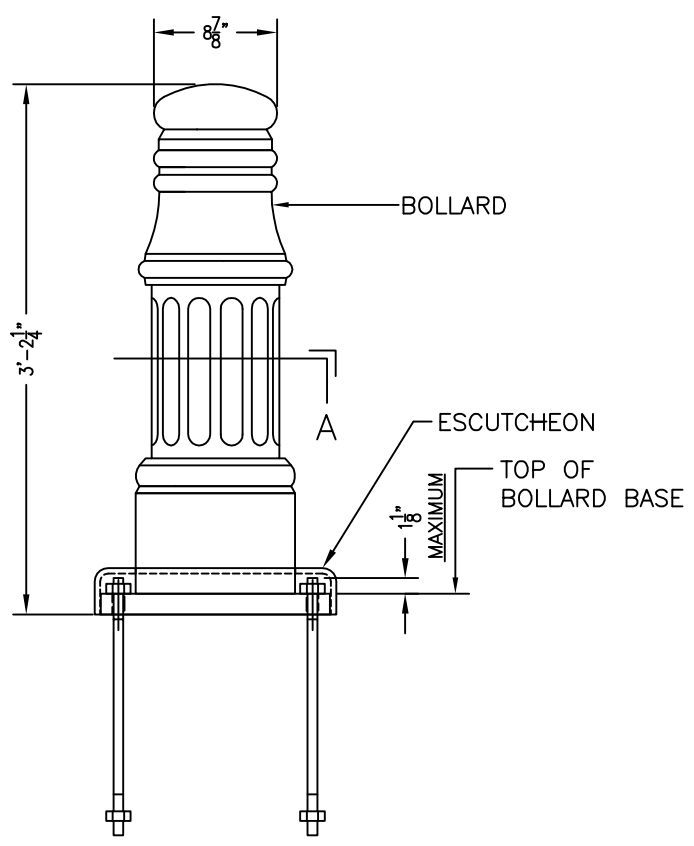
PART 2 – PRODUCTS

- 2.1 Security bollards to be provided by: J.C. MacElroy Company, Inc.,
Phone: (732) 572-7100, Fax: (732) 572-7112, E-mail: info@macelroy.com,
Website: www.macelroy.com
- 2.2 MATERIALS
- A. Security bollard:
1. Material: Cast Iron, ASTM A48/A48M, Class 30B
 2. Provide anchor bolts to ensure proper installation. Anchor bolts shall comply with ASTM A307 and associated plates to comply with ASTM A36/A36M.
 3. Provide optional internal 6” steel pipe in accordance with ASTM A53, Grade B if shown on the contract drawings.
- B. Security bollard with link connection:
1. Chain link: Material as shown on the contract drawings. Provide sufficient lengths to drape as shown on drawings.
- 2.3 FINISH
- A. Where security bollard is required by Engineer to be painted, painting of bollard shall be performed in conformity with the specification.
- B. Anchor bolts and internal pipe support are to be hot dipped galvanized or as otherwise specified.

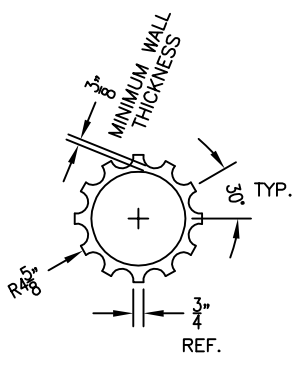
REV. NO.	ZONE	DESCRIPTION	DATE	BY



PIPE-BASE BOLT DETAIL



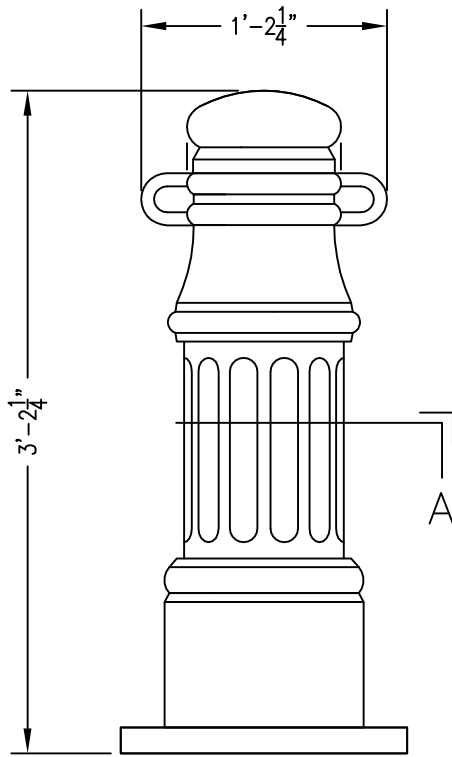
BOLLARD BOLT DETAIL



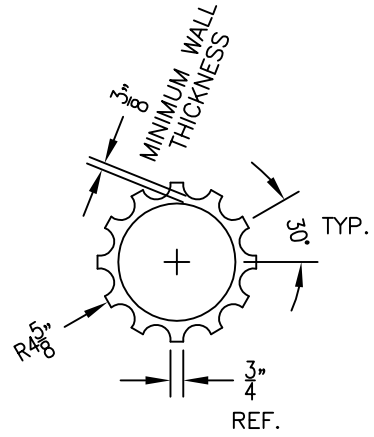
SECTION "A"

MacElroy		
J. C. MacElroy Co. Inc. 91 ETHEL ROAD WEST, PISCATAWAY, N.J. 08855		
Website: WWW.Macelroy.com - E-mail: info@Macelroy.com Phone: (800) 622-3576		
TITLE SECURITY BOLLARD		
DRAWN BY EK	CHK'ED BY MJM	ENGINEER BS
CONTR.	SHEET 7 OF	
DATE 1/12/04	SCALE N.T.S.	DWG. NO. A-03-1655

REV. NO.	ZONE	DESCRIPTION	DATE	BY



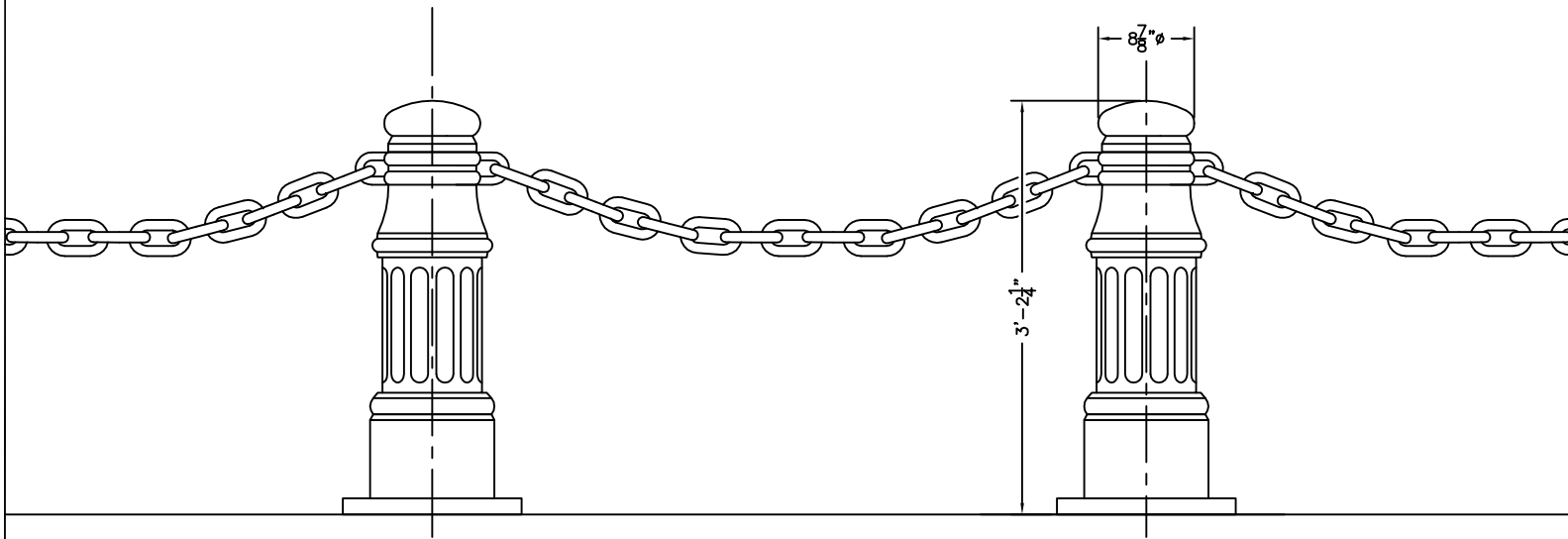
BOLLARD DETAIL

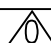


SECTION "A"

MacElroy		
J. C. MacElroy Co. Inc. 91 ETHEL ROAD WEST, PISCATAWAY, N.J. 08855		
Website: WWW.Macelroy.com - E-mail: info@Macelroy.com Phone: (800) 622-3576		
TITLE SECURITY BOLLARD W/LINK CONNECTION		
DRAWN BY EK	CHK'ED BY MJM	ENGINEER BS
CONTR.	SHEET 8 OF	
DATE 1/12/04	SCALE N.T.S.	DWG. NO. A-03-1655

REV. NO.	ZONE	DESCRIPTION	DATE	BY



MacElroy		
J. C. MacElroy Co. Inc. 91 ETHEL ROAD WEST, PISCATAWAY, N.J. 08855		
Website: WWW.Macelroy.com - E-mail: info@Macelroy.com Phone: (800) 622-3576		
TITLE CHAIN LINK SECURITY BOLLARD ASSEMBLY		
DRAWN BY EK	CHK'ED BY MJM	ENGINEER BS
CONTR.	SHEET 9 OF	
DATE 1/12/04	SCALE N.T.S.	DWG. NO. A-03-1655 

ORNAMENTAL BOLLARDS

To Engineers/Architects –

A complete specification section for inclusion into your contract documents can be provided upon request.

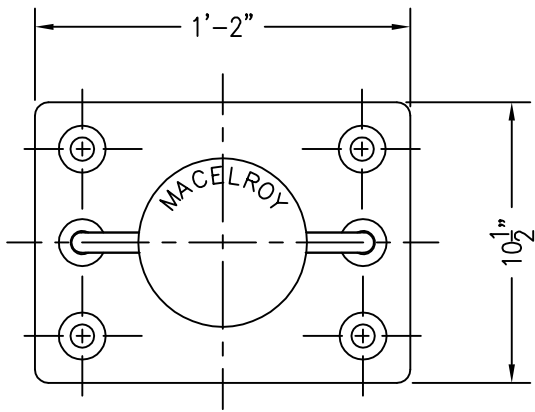
PART 2 – PRODUCTS

- 2.1 Ornamental bollards to be provided by: J.C. MacElroy Company, Inc.,
Phone: (732) 572-7100, Fax: (732) 572-7112, E-mail: info@macelroy.com,
Website: www.macelroy.com
- 2.2 MATERIALS
- A. 22 inch ornamental bollard:
 - 1. Material: Cast Iron, ASTM A48/A48M, Class 30B
 - 2. Provide anchor bolts to ensure proper installation. Anchor bolts shall comply with ASTM A307 and associated plates to comply with ASTM A36/A36M.
 - B. 22 inch ornamental bollard with link connection:
 - 1. Chain link: Material as shown on the contract drawings. Provide sufficient lengths to drape as shown on drawings.
 - C. 40 inch ornamental bollard:
 - 1. Material: Cast Iron, ASTM A48/A48M, Class 30B
 - 2. Provide anchor bolts to ensure proper installation. Anchor bolts shall comply with ASTM A307 and associated plates to comply with ASTM A36/A36M.
 - D. 40 inch ornamental bollard with link connection:
 - 1. Chain link: Material as shown on the contract drawings. Provide sufficient lengths to drape as shown on drawings.
 - E. 42 inch ornamental bollard:
 - 1. Material: Cast Iron, ASTM A48/A48M, Class 30B
 - 2. Provide anchor bolts to ensure proper installation. Anchor bolts shall comply with ASTM A307 and associated plates to comply with ASTM A36/A36M.
 - F. 42 inch ornamental bollard with link connection:
 - 1. Chain link: Material as shown on the contract drawings. Provide sufficient lengths to drape as shown on drawings.

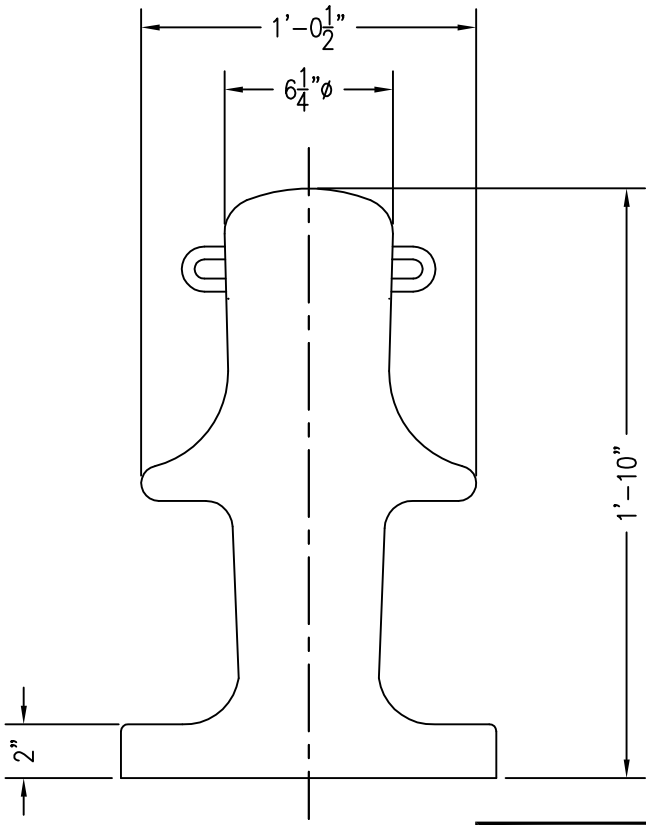
2.3 FINISH

- A. Where ornamental bollard is required by Engineer to be painted, painting of bollard shall be performed in conformity with the specification.

REV. NO.	ZONE	DESCRIPTION	DATE	BY



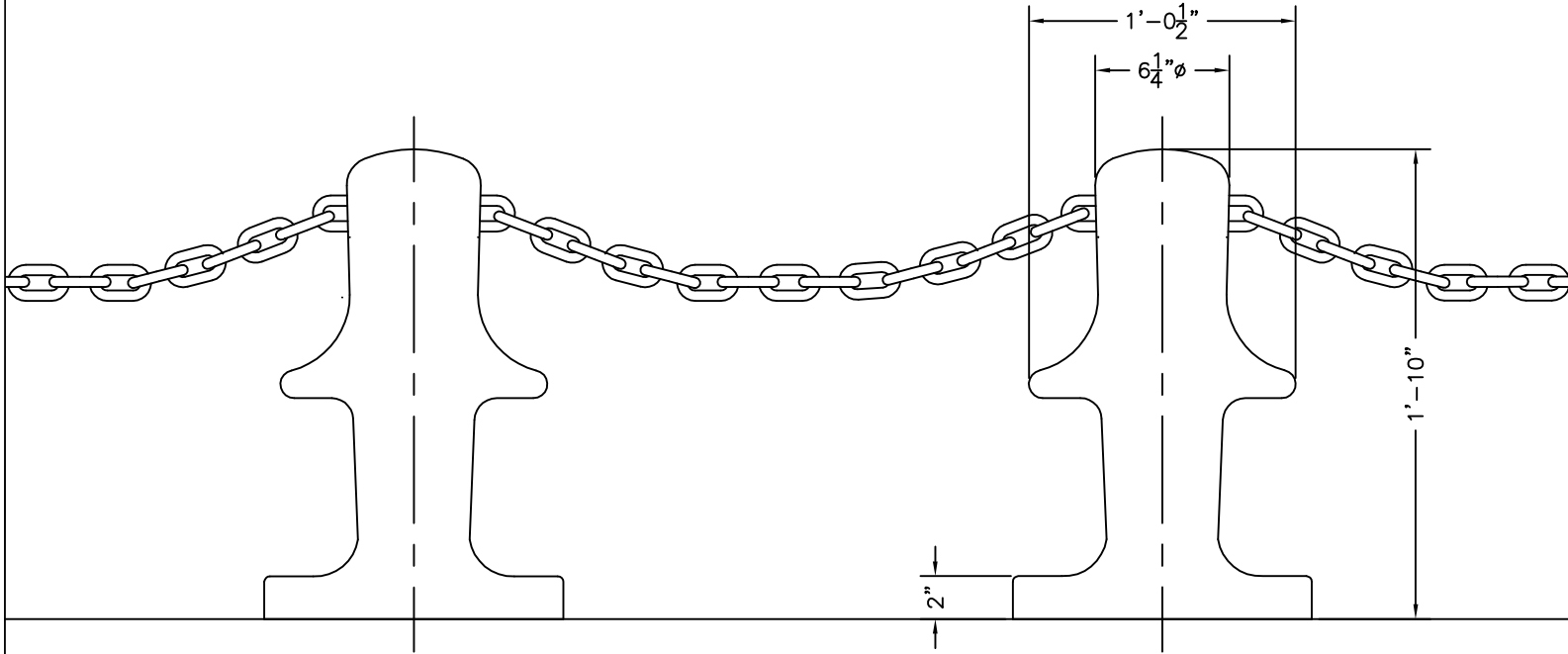
TOP VIEW



PLAN VIEW

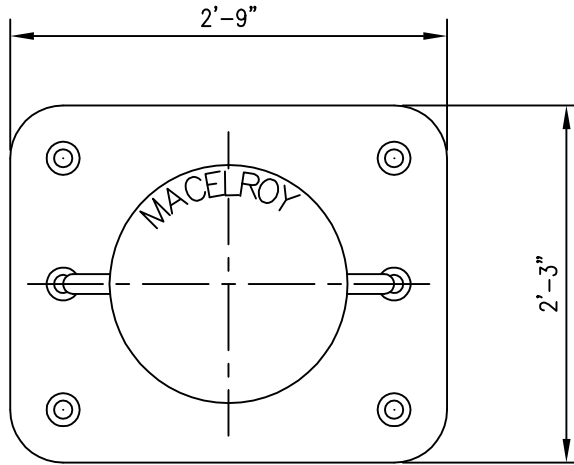
MacElroy		
J. C. MacElroy Co. Inc. 91 ETHEL ROAD WEST, PISCATAWAY, N.J. 08855		
Website: WWW.Macelroy.com - E-mail: info@Macelroy.com Phone: (800) 622-3576		
TITLE 22 INCH ORNAMENTAL BOLLARD WITH LINK CONNECTION		
DRAWN BY EK	CHK'ED BY MJM	ENGINEER BS
CONTR.		SHEET 5 OF
DATE 1/29/03	SCALE N.T.S.	DWG. NO. A-03-1655

REV. NO.	ZONE	DESCRIPTION	DATE	BY

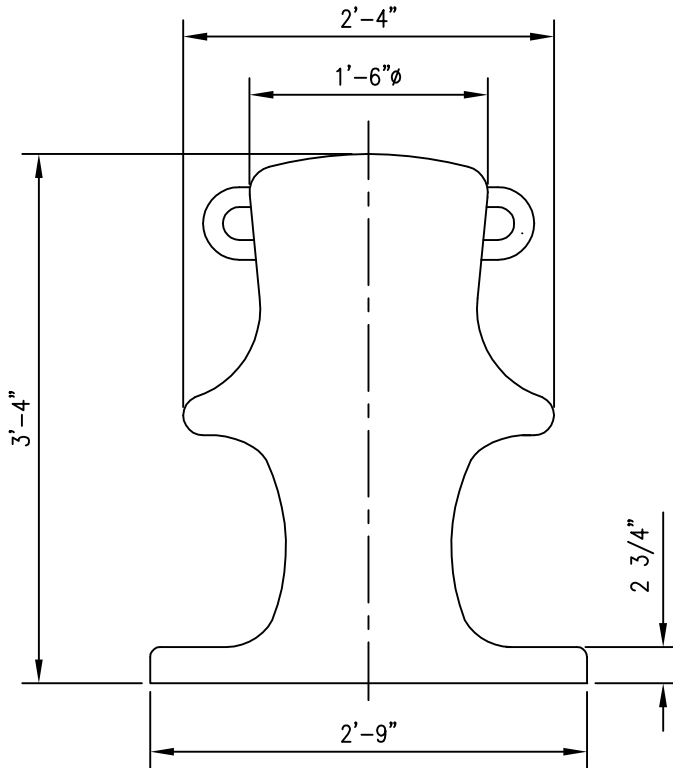


MacElroy		
J. C. MacElroy Co. Inc. 91 ETHEL ROAD WEST, PISCATAWAY, N.J. 08855		
Website: WWW.Macelroy.com - E-mail: info@Macelroy.com Phone: (800) 622-3576		
TITLE 22" CHAIN LINKED BOLLARD ASSEMBLY		
DRAWN BY EK	CHK'ED BY MJM	ENGINEER BS
CONTR.	SHEET 6 OF	
DATE 1/12/04	SCALE N.T.S.	DWG. NO. A-03-1655

REV. NO.	ZONE	DESCRIPTION	DATE	BY



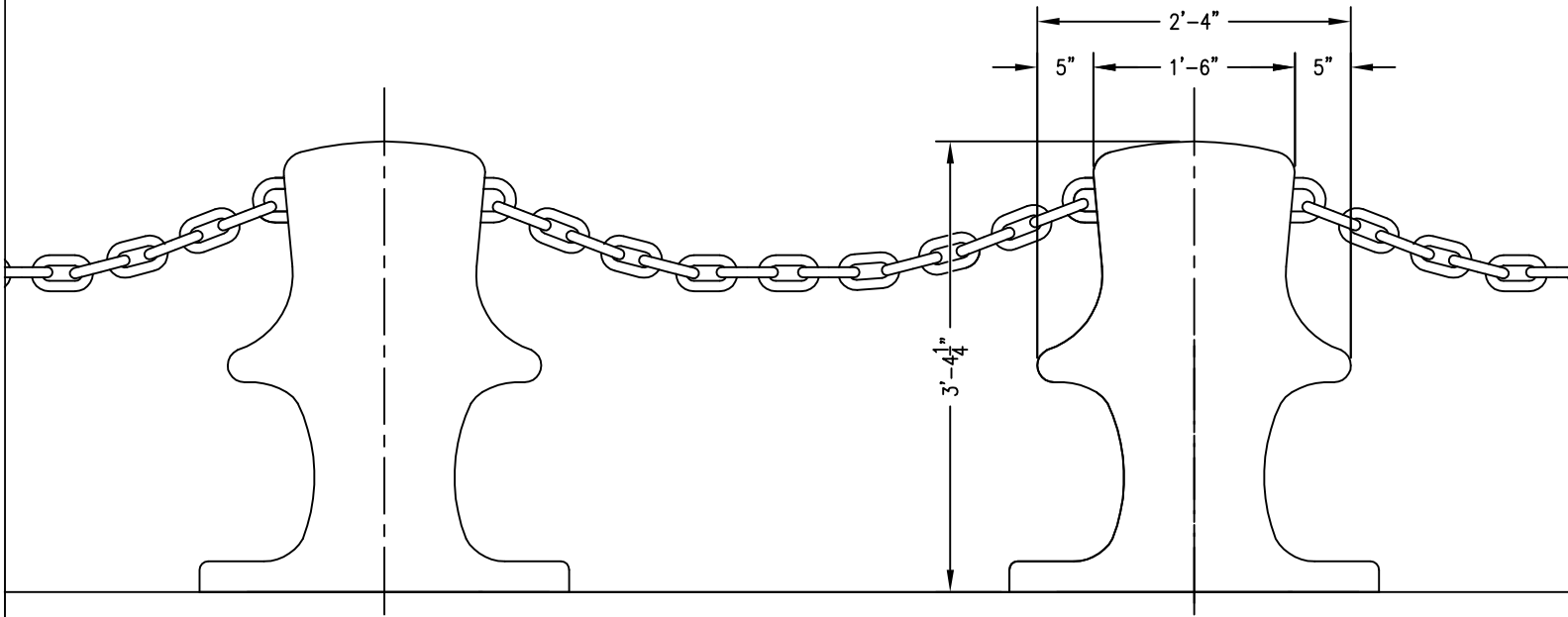
TOP VIEW



FRONT VIEW

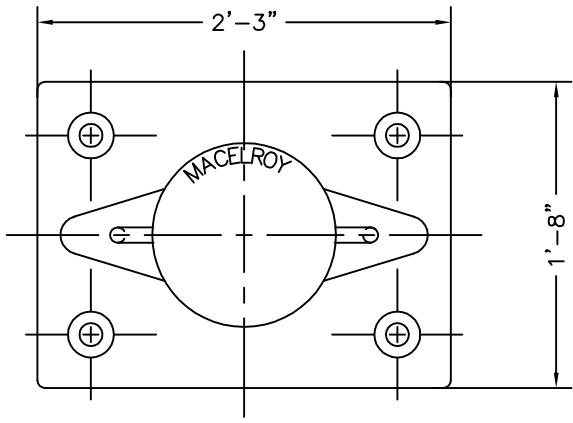
MacElroy		
J. C. MacElroy Co. Inc. 91 ETHEL ROAD WEST, PISCATAWAY, N.J. 08855		
Website: WWW.Macelroy.com - E-mail: info@Macelroy.com Phone: (800) 622-3576		
TITLE 40 INCH ORNAMENTAL BOLLARD WITH LINK CONNECTION		
DRAWN BY EK	CHK'ED BY MJM	ENGINEER BS
CONTR.	SHEET 3 OF	
DATE 1/12/04	SCALE N.T.S.	DWG. NO. A-03-1655

REV. NO.	ZONE	DESCRIPTION	DATE	BY

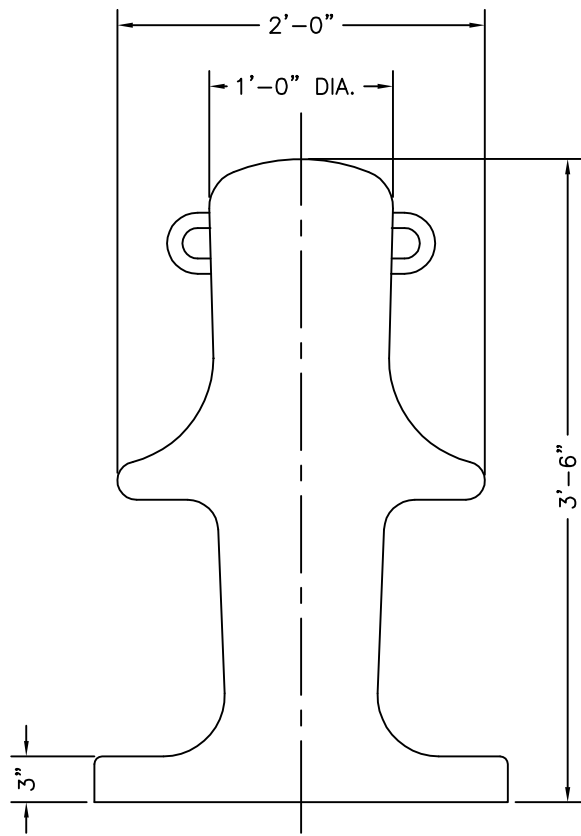


MacElroy		
J. C. MacElroy Co. Inc. 91 ETHEL ROAD WEST, PISCATAWAY, N.J. 08855		
Website: WWW.Macelroy.com - E-mail: info@Macelroy.com Phone: (800) 622-3576		
TITLE 40 INCH CHAIN LINKED BOLLARD ASSEMBLY		
DRAWN BY EK	CHK'ED BY MJM	ENGINEER BS
CONTR.	DATE 1/12/04	SHEET 4 OF SCALE N.T.S.
DWG. NO. A-03-1655		△

REV. NO.	ZONE	DESCRIPTION	DATE	BY



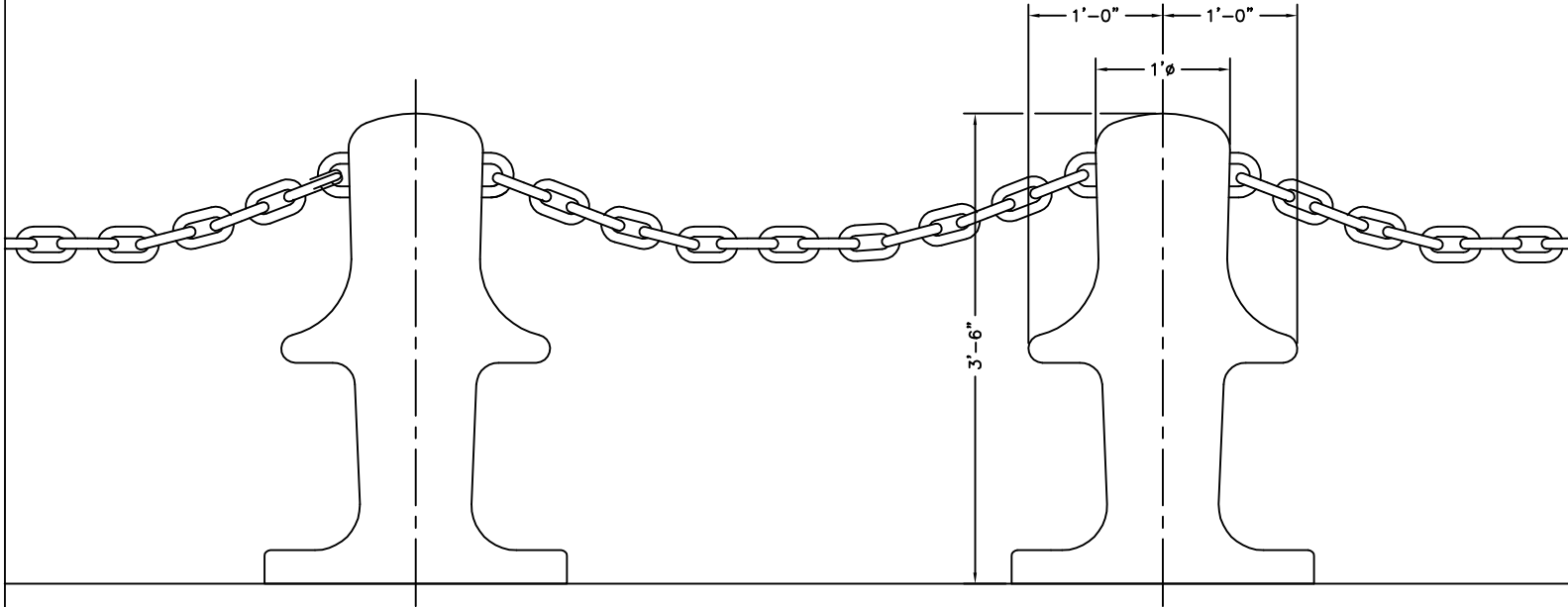
TOP VIEW



PLAN VIEW

MacElroy		
J. C. MacElroy Co. Inc. 91 ETHEL ROAD WEST, PISCATAWAY, N.J. 08855		
Website: WWW.Macelroy.com - E-mail: info@Macelroy.com Phone: (800) 622-3576		
TITLE 42 INCH ORNAMENTAL BOLLARD WITH LINK CONNECTION		
DRAWN BY EK	CHK'ED BY MJM	ENGINEER BS
CONTR.	SCALE N.T.S.	SHEET 1 OF
DATE 1/12/04	SCALE N.T.S.	DWG. NO. A-03-1655

REV. NO.	ZONE	DESCRIPTION	DATE	BY



MacElroy		
J. C. MacElroy Co. Inc. 91 ETHEL ROAD WEST, PISCATAWAY, N.J. 08855		
Website: WWW.Macelroy.com - E-mail: info@Macelroy.com Phone: (800) 622-3576		
TITLE 42" CHAIN LINKED BOLLARD ASSEMBLY		
DRAWN BY EK	CHK'ED BY MJM	ENGINEER BS
CONTR.	SHEET 2 OF	
DATE 1/12/04	SCALE N.T.S.	DWG. NO. A-03-1655

TRASH BOLLARD

To Engineers/Architects –

A complete specification section for inclusion into your contract documents can be provided upon request.

PART 2 – PRODUCTS

2.1 Trash bollard to be provided by: J.C. MacElroy Company, Inc.,
Phone: (732) 572-7100, Fax: (732) 572-7112, E-mail: info@macelroy.com,
Website: www.macelroy.com

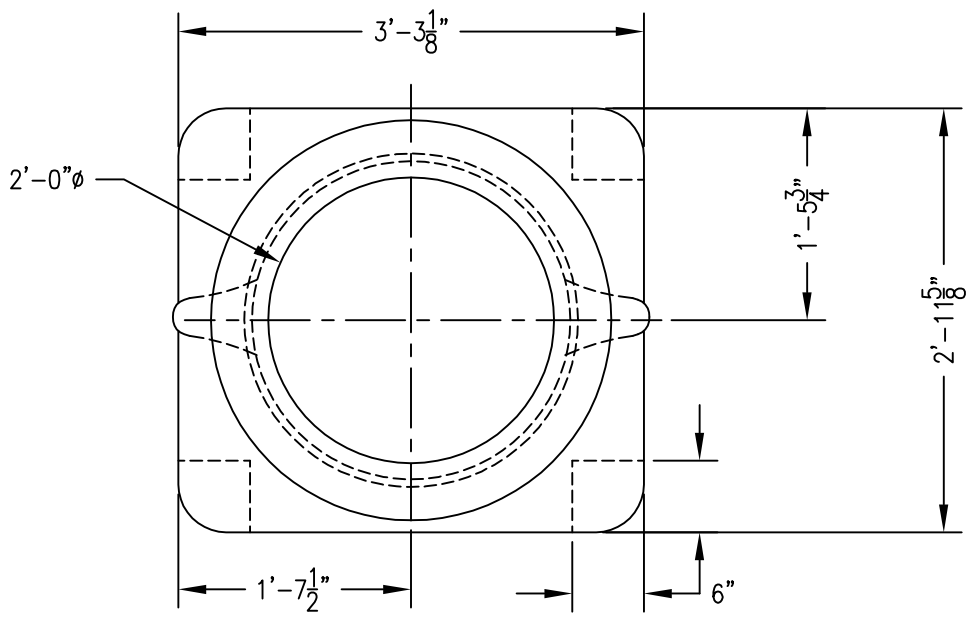
2.2 MATERIALS

- A. Trash Bollard:
 - 1. Material: Cast Iron, ASTM A48/A48M, Class 30B

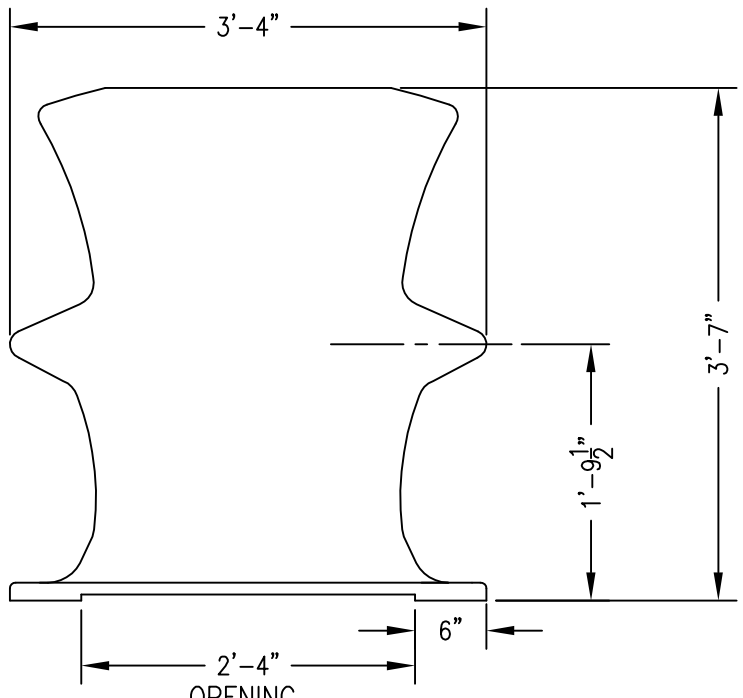
2.3 FINISH

- A. Where trash bollard is required by Engineer to be painted, painting of trash bollard shall be performed in conformity with the specification.

REV. NO.	ZONE	DESCRIPTION	DATE	BY



TOP VIEW



PLAN VIEW

MacElroy		
J. C. MacElroy Co. Inc. 91 ETHEL ROAD WEST, PISCATAWAY, N.J. 08855		
Website: WWW.Macelroy.com - E-mail: info@Macelroy.com Phone: (800) 622-3576		
TITLE TRASH BOLLARD		
DRAWN BY EK	CHK'ED BY MJM	ENGINEER BS
CONTR.	SHEET 11 OF	
DATE 1/12/04	SCALE N.T.S.	DWG. NO. A-03-1655

CLEAT SEAT BENCH

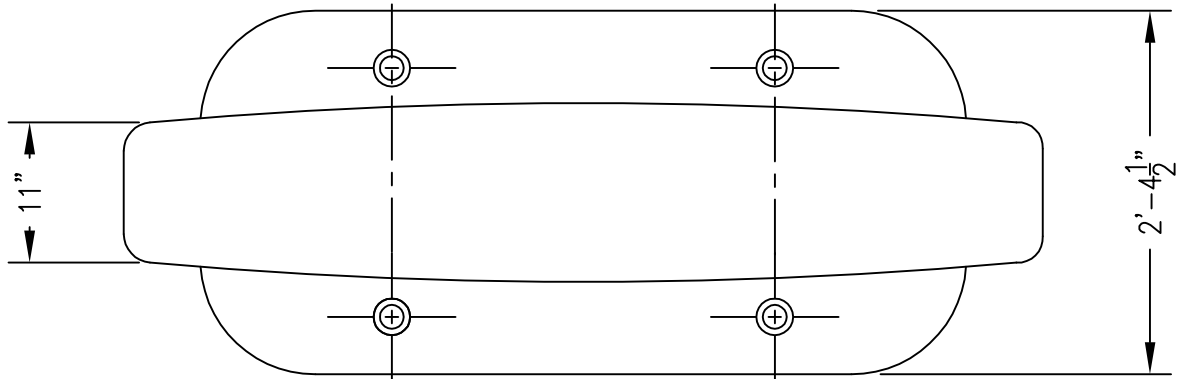
To Engineers/Architects –

A complete specification section for inclusion into your contract documents can be provided upon request.

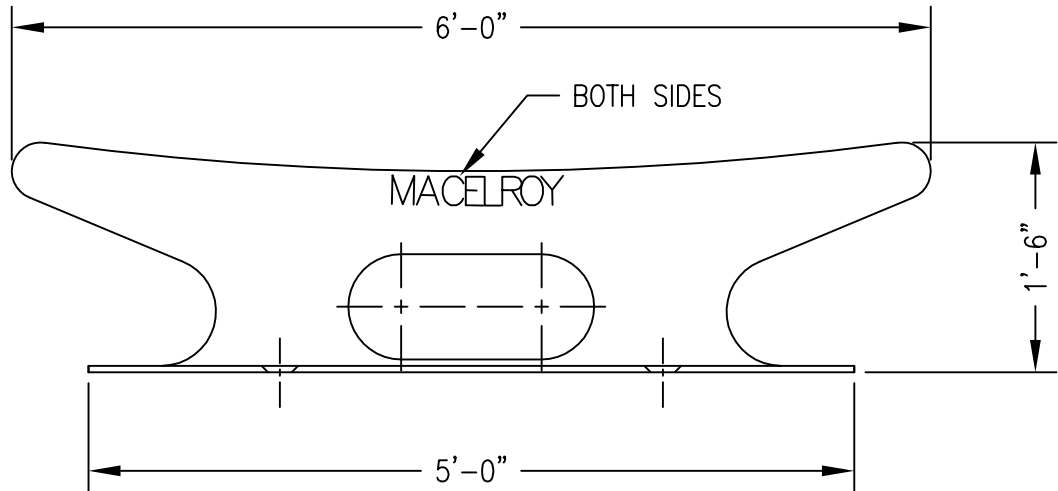
PART 2 – PRODUCTS

- 2.1 Cleat seat bench to be provided by: J.C. MacElroy Company, Inc.,
Phone: (732) 572-7100, Fax: (732) 572-7112, E-mail: info@macelroy.com,
Website: www.macelroy.com
- 2.2 MATERIALS
- A. Cleat Seat Bench:
1. Material: Cast Steel, ASTM A27/A27M, Grade 65-35
 2. Provide anchor bolts to ensure proper installation. Anchor bolts shall comply with ASTM A307.
- 2.3 FINISH
- A. Where cleat seat bench is required by Engineer to be painted, painting of bench shall be performed in conformity with the specification.

REV. NO.	ZONE	DESCRIPTION	DATE	BY



TOP VIEW



PLAN VIEW

MacElroy		
J. C. MacElroy Co. Inc. 91 ETHEL ROAD WEST, PISCATAWAY, N.J. 08855		
Website: WWW.Macelroy.com - E-mail: info@Macelroy.com Phone: (800) 622-3576		
TITLE CLEAT SEAT BENCH		
DRAWN BY EK	CHK'ED BY MJM	ENGINEER BS
CONTR.	SHEET 10 OF	
DATE 1/12/04	SCALE N.T.S.	DWG. NO. A-03-1655

Providing Solutions. Building Value. Delivering Quality.

J.C. MacElroy Company, Inc. provides practical and attractive solutions for waterfronts, landscapes, streetscapes, and any site under development. As an AISC certified metal fabricator, we offer custom fabrication, historic restoration, and custom casting services to architects, engineers, and owners looking to enhance a site or community. Our approach applies the highest standards of excellence to ensure total customer satisfaction, adding value to each project by providing superior service and the highest quality products. Please contact our sales team today to request a quote.

J.C. MacElroy Company, Inc.

P.O. Box 850	Toll-Free: 1-800-622-3576
91 Ethel Road West	Phone: (732) 572-7100
Piscataway, NJ 08855	Fax: (732) 572-7112
United States	info@macelroy.com



For more information, please visit
www.macelroy.com

